



GSV AND S&B COMPLETE MARINE LOCKSETS

Izerwaren
Order
numbers

- With backset 55 mm - 2 3/16"
- Minimum door thickness 32 mm - 1 1/4"
- Finish: Satin or polished stainless steel

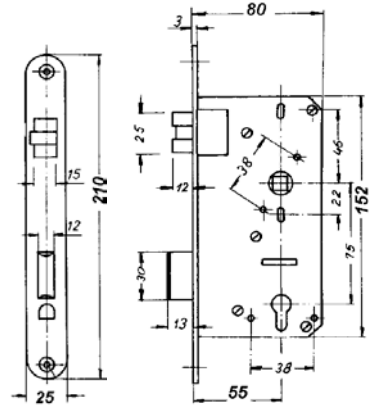
14.73Z5 **Complete Entry Set Stainless steel**
Details page 1-4-A

14.73Z **Entry Mortise Lock separate**
For 9x9 mm spindle /door lever handles
Use with profile cylinder key/key or key/knob
Details page 1-4-B

14.231 **Strike plate stainless steel**



#14.75Z5 SET Entry mortise lock
55 mm backset stainless steel



#14.73Z Stainless steel entry lock

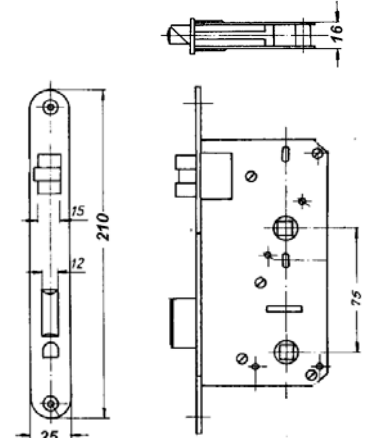
14.73W5 **Complete Privacy Set Stainless Steel**
Details page 1-4-A

14.73W **Privacy Mortise Lock separate**
9 x 9 mm spindle for lever handles
7 x 7 mm spindle for thumb-turn
Details page 1-4-F

14.231 **Strike plate stainless steel**



P#14.73W5 SET Privacy mortise lock
55 mm backset



#14.73W5 SET Stainless steel privacy lock

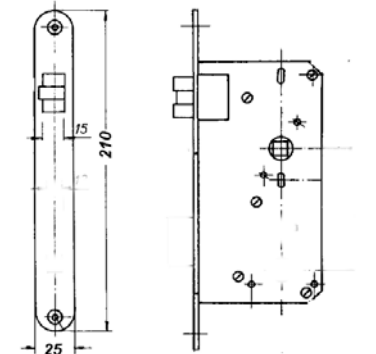
14.73F5 **Complete Passage Set Stainless steel**

14.73F **Passage lock separate**
9 x 9 mm spindle for lever handles
Details page 1-4-D

14.626 **Strike plate stainless steel**



#14.73F5 SET Passage Lock
55 mm backset



14.73F5 SET Stainless steel mortise Latch #

13.81Z5 **Complete Sliding Door Set**
Door thickness minimum: 1 3/4"
Plate protrudes 1/4" from door on each side
Total width plate: 2"

13.81Z **Sliding door lock separate**
9 x 9 mm spindle for lever handles
Details page 1-4-B; and 1-13

05.400 **Profile cylinder #1400 series:**

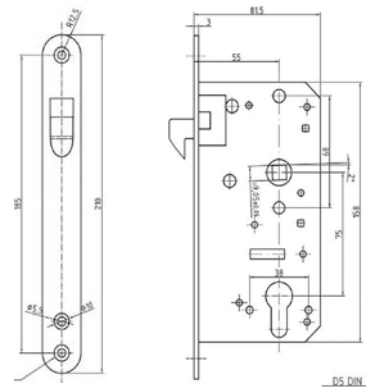


Key/key or key/knob or knob/indicator
Specify door thickness and function cylinder
See for functions cylinders: Details page 0-5

14.999 **Lever handles stainless steel**
105 x 47 mm Details: Page 1-4-J



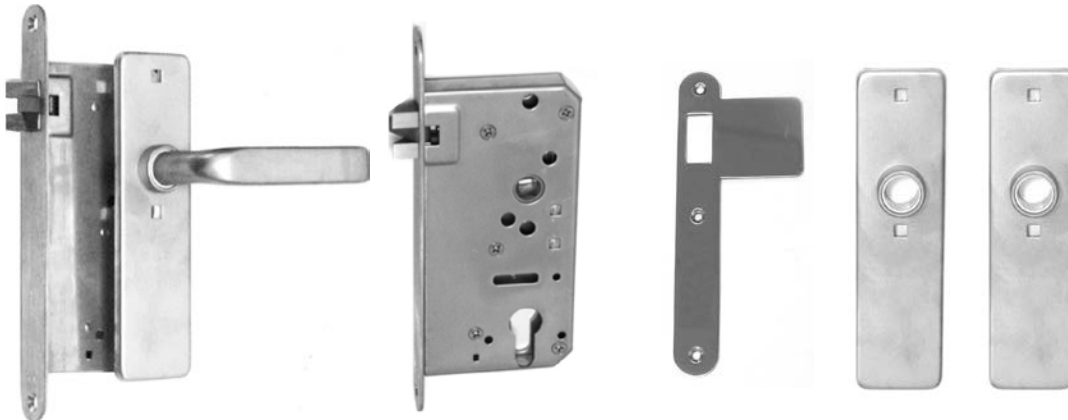
#13.81Z5 SET Sliding door lock
55 mm backset
Lever 14.999 with plate 14.129



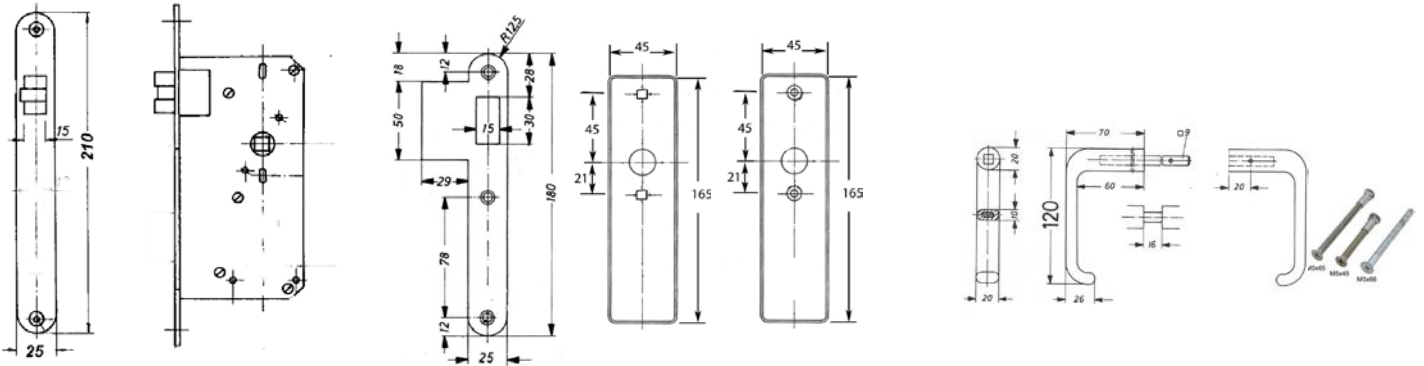
#14.81Z5 SET
Brass chrome plated sliding lock
Details see page 1-4-B and 1-13

14.129.308 **Escutcheon plates, stainless steel**
165 x 45 mm Details: Page 1-4-I

UPGRADE TO IZERWAREN MEGA YACHT TRIM - SEE PAGE 1-4-N; 1-4-P



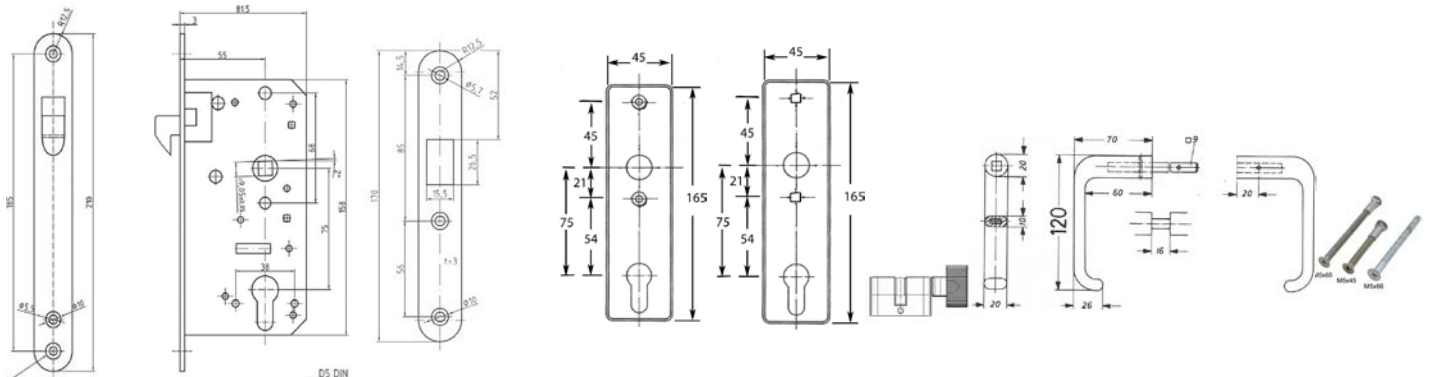
#14.73F5 SET Stainless steel mortise latch and trim



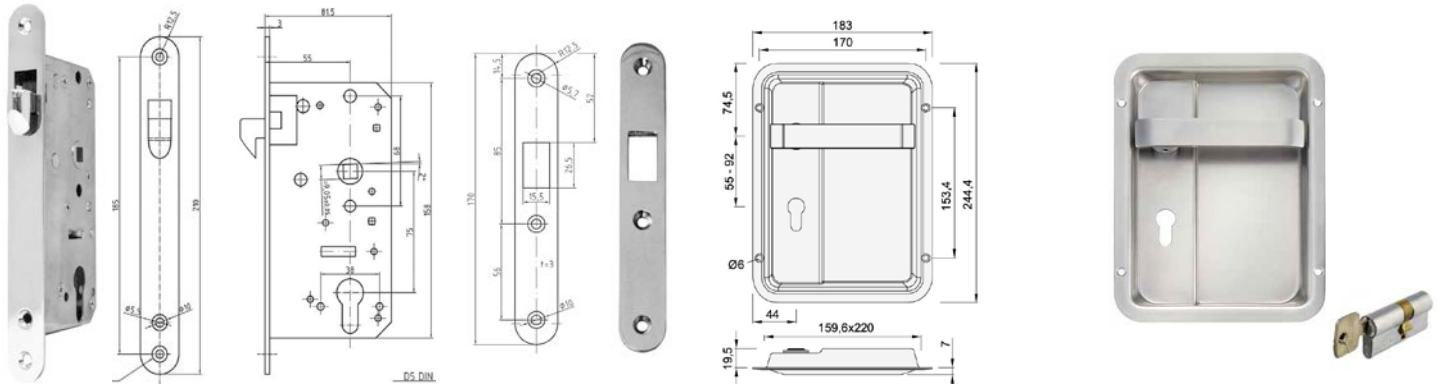
#14.73F5 SET Stainless steel mortise latch and trim



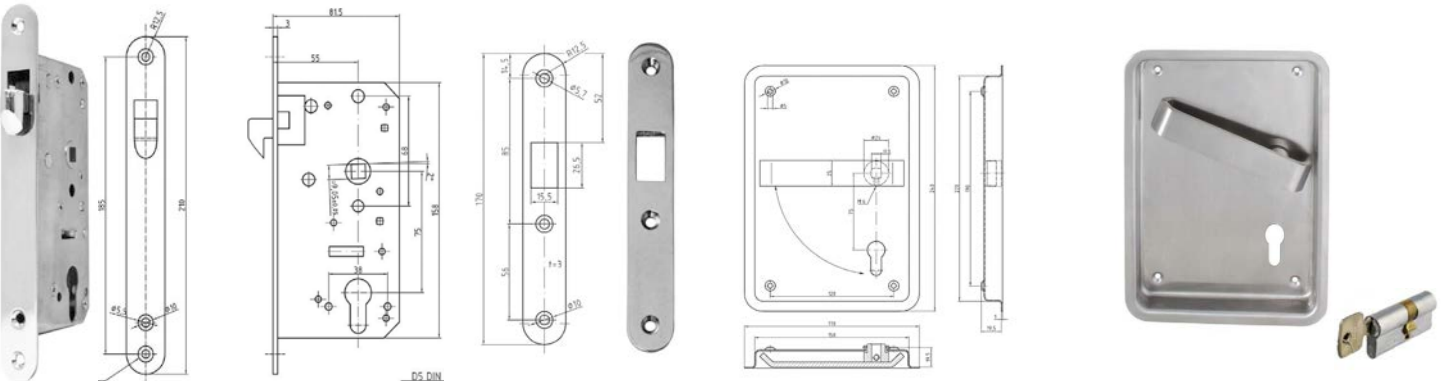
#13.81Z5 SET: Satin chrome plated brass sliding entry mortise lock with satin stainless steel trim. Min. Door thickness: 1 1/2" minimum



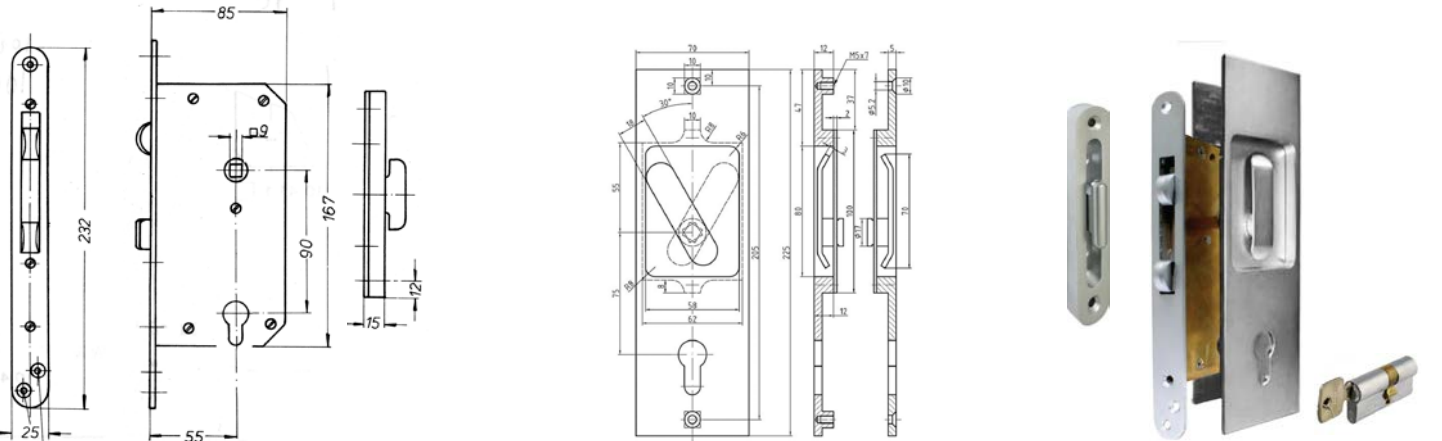
#13.81Z5 SET: Satin chrome plated brass sliding entry mortise lock with satin stainless steel trim. Min. Door thickness: 1 1/2" minimum



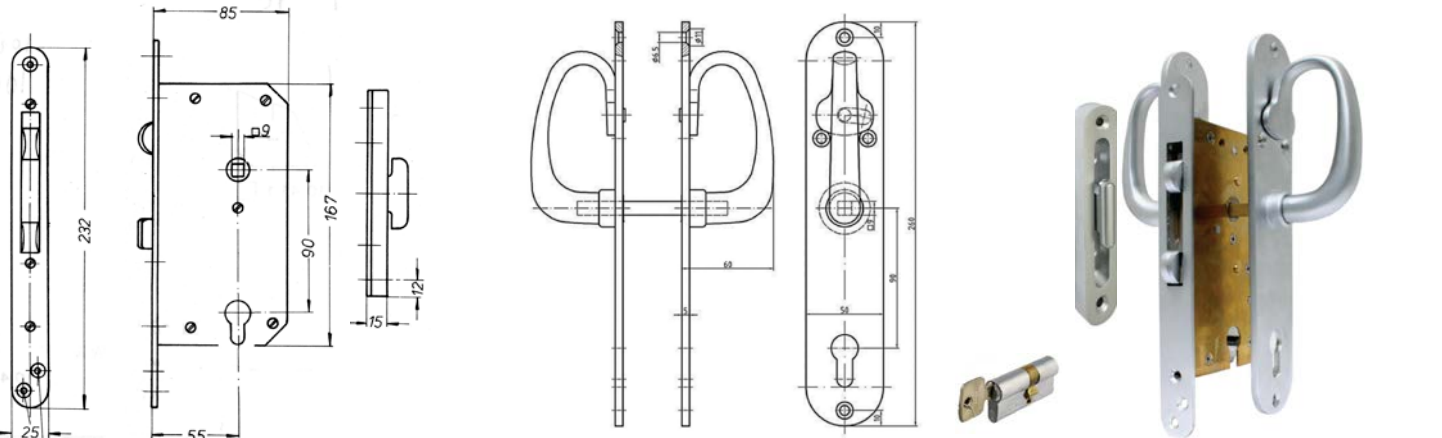
Entry Lock Set# 13.81Z8; 55 mm backset; Door thickness: 2 3/8 inch
using #53.5072 flush plates with lever size: 244.4 x 183 mm; build in space depth: 20 mm; proud: 7 mm see also page 5-3-1



Entry Lock Set# 13.81Z9; 55 mm backset; Door thickness: 2 3/8 inch
With #53.653 Flush plate with lever. Plate 240 x 170 mm; Build in depth: 20mm; Satin stainless steel


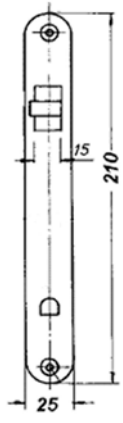
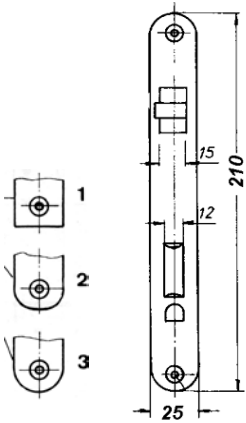
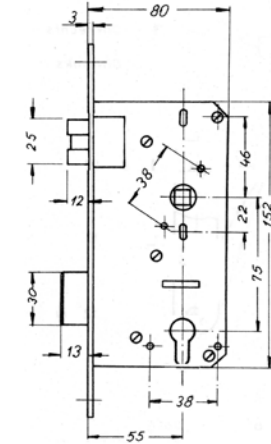

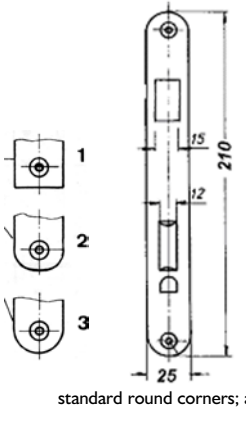
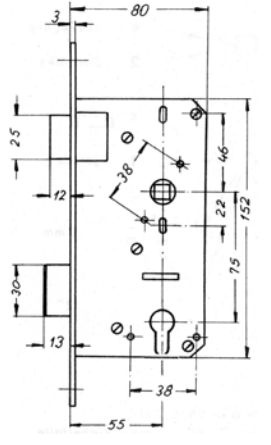
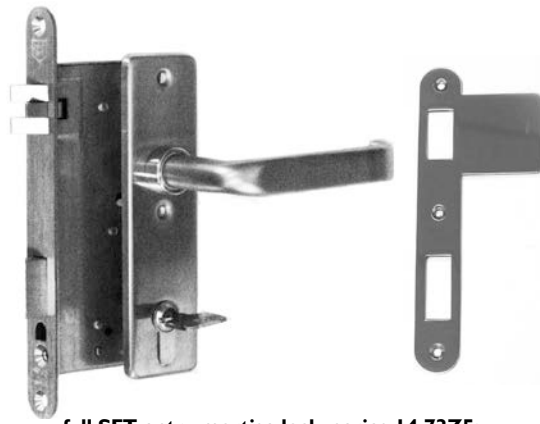
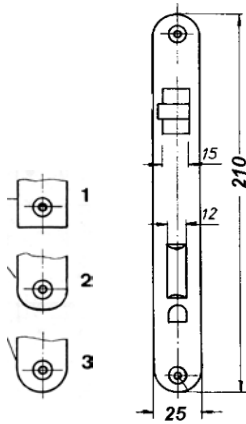
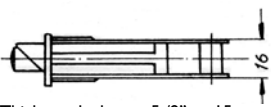


Entry Lock Set: 13.008Z Heavy duty Flush sliding door lock set. Door thickness: 1 3/4 inch. Chrome plated brass.


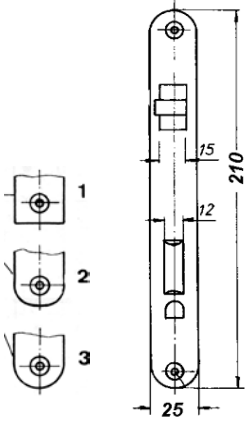
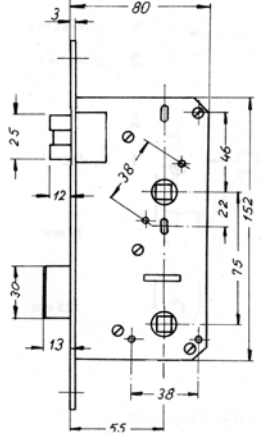

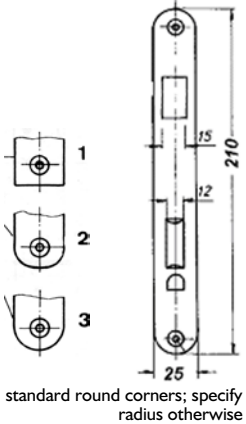
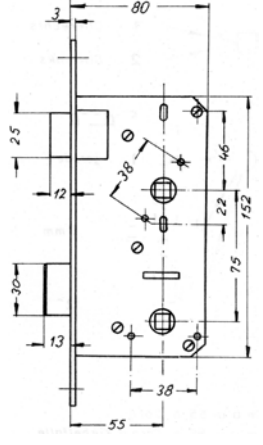
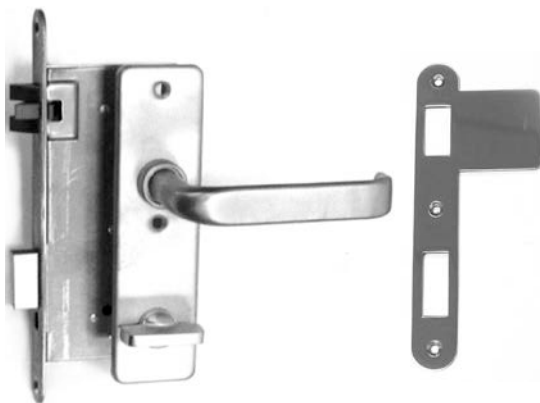
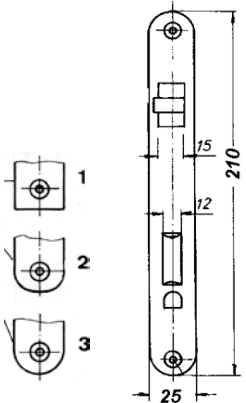
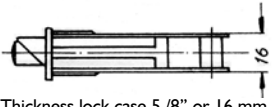


Entry Lock Set: 13.9698Z Heavy duty sliding door lock set for 1 1/2" thick doors. Chrome plated brass. Door thickness: 1 1/2 inch


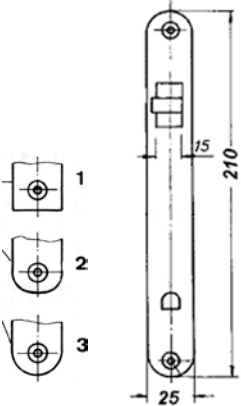
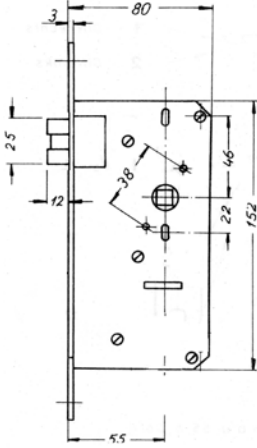

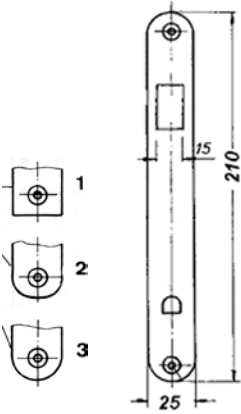
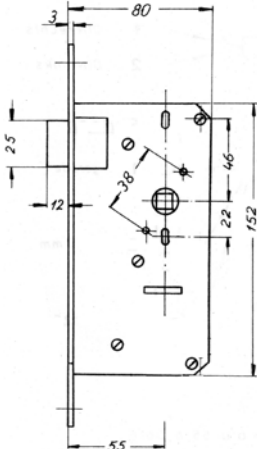
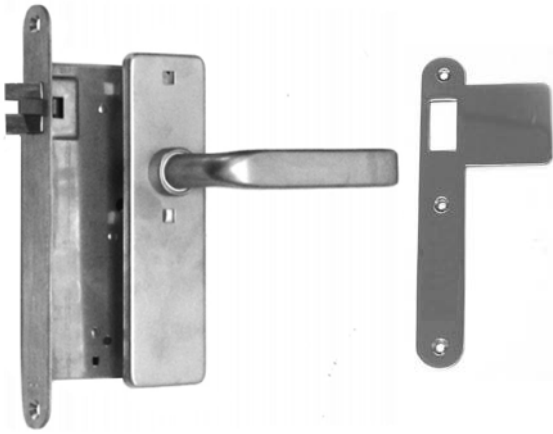
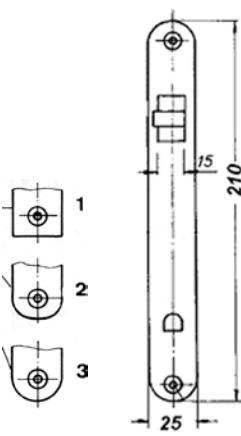
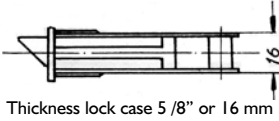


Order number	Material	Back set	Specifics	Finish
 <p>Entry mortise series 14.73Z: triple latch bolt. for use with Profile Cylinder keyway</p>	<p>Triple latch bolts for easy closing of doors in interior spaces.</p>		 <p>standard round corners; specify square or 3/8" radius otherwise</p>	
#14.73Z	Stainless Steel	55 mm	Entry Lock, key way separate	satin stainless steel
#14.73Z1	Stainless Steel	55 mm	Entry Lock, key way separate	polished stainless steel
#14.73Z2	brass	55 mm	Entry Lock, key way separate	brass not lacquered
 <p>Entry mortise series 14.73SZ: Solid latch bolt. for use with profile cylinder keyway</p>	<p>Solid latch bolt for use with: Extra heavy doors Doors with Gaskets Fire rated doors Weather doors.</p>		 <p>standard round corners; as in "3"</p>	
#14.73SZ	Stainless Steel	55 mm	Entry Lock, key way separate	satin stainless steel
#14.73SZ1	Stainless Steel	55 mm	Entry Lock, key way separate	polished stainless steel
 <p>full SET entry mortise lock, series 14.73Z5: with triple latch bolt</p>			 <p>standard round corners; as in "3"</p>	 <p>Thickness lock case 5/8" or 15 mm</p>
#14.73Z5 set	Stainless Steel	55 mm	Full set	satin stainless steel
#14.73Z6 set	Stainless Steel	55 mm	Full set	polished stainless steel


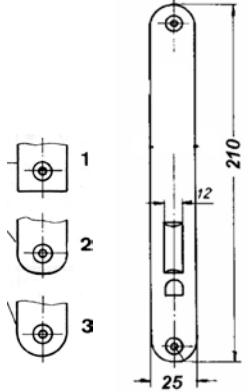

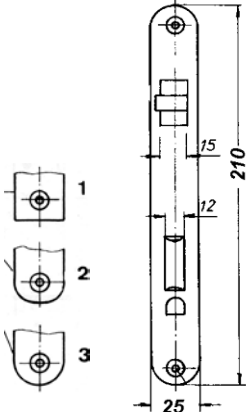
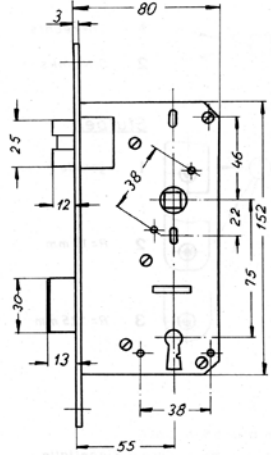

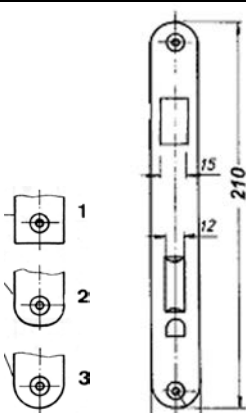
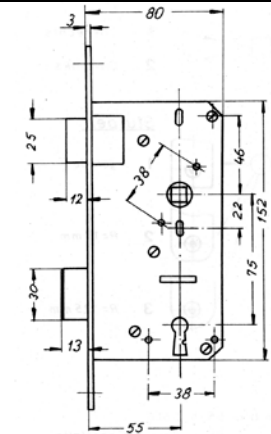


Order number	Material	Back set	Specifics	Finish
 <p>Privacy mortise locks series 14.73W: with triple latch bolt</p>	<p>Triple latch bolts for easy closing of doors in interior spaces.</p>		 <p>standard round corners; specify square or 3/8" radius otherwise</p>	
# 14.73W	Stainless Steel	55 mm	Mortise only	satin stainless steel
# 14.73W1	Stainless Steel	55 mm	Mortise only	polished stainless steel
# 14.73W2	brass	55 mm	Mortise only	brass not lacquered
 <p>Privacy mortise locks series 14.73W: with solid latch bolt</p>	<p>Solid latch bolt for use with: Extra heavy doors Doors with Gaskets Fire rated doors Weather doors.</p>		 <p>standard round corners; specify square or 3/8" radius otherwise</p>	
# 14.73SW	Stainless Steel	55 mm	Mortise only	satin stainless steel
# 14.73SW1	Stainless Steel	55 mm	Mortise only	polished stainless steel
 <p>full SET privacy mortise lock, series 14.73W5: triple latch</p>			 <p>standard round corners; specify square or 3/8" radius otherwise</p>	 <p>Thickness lock case 5/8" or 16 mm</p>
# 14.73W5 SET	Stainless Steel	55 mm	Full set	satin stainless steel
# 14.73W6 SET	Stainless Steel	55 mm	Full set	polished stainless steel



Order number	Material	Back set	Specifics	Finish
 <p>Passage mortise latch series 14.73F: with triple latch bolt</p>	<p>Triple latch bolts for easy closing of doors in interior spaces.</p>		 <p>standard round corners; specify square or 3/8" radius otherwise</p>	
# 14.73F	Stainless Steel	55 mm	Mortise only	satin stainless steel
# 14.73F1	Stainless Steel	55 mm	Mortise only	polished stainless steel
# 14.73F2	brass	55 mm	Mortise only	brass not lacquered
 <p>Passage mortise latch series 14.73SF: with triple latch bolt</p>	<p>Solid latch bolt for use with: Extra heavy doors Doors with Gaskets Fire rated doors Weather doors.</p>		 <p>standard round corners; specify square or 3/8" radius otherwise</p>	
# 14.73SF	Stainless Steel	55 mm	Mortise only	satin stainless steel
# 14.73SF1	Stainless Steel	55 mm	Mortise only	polished stainless steel
 <p>Full set passage mortise latch; series 14.73F5 with triple latch</p>			 <p>standard round corners; specify square or 3/8" radius otherwise</p>	 <p>Thickness lock case 5/8" or 16 mm</p>
# 14.73F5 SET	Stainless Steel	55 mm	Full set	satin stainless steel
# 14.73F6 SET	Stainless Steel	55 mm	Full set	polished stainless steel



Order number	Material	Back set	Specifics	Finish
 <p data-bbox="116 573 341 611">Dead Bolt mortise lock series 14.73R for Profile Cylinder</p>			 <p data-bbox="885 569 1226 611">standard round corners; specify square or 3/8" radius otherwise</p>	<p data-bbox="1274 199 1534 262">Similar to other locks from this series</p>
#14.73R	Stainless Steel	55 mm	Mortise only	satin stainless steel
#14.73R1	Stainless Steel	55 mm	Mortise only	polished stainless steel
 <p data-bbox="89 1102 332 1157">Entry mortise lock series for skeleton keys, 14.730: with triple latch bolt</p>			 <p data-bbox="901 1108 1209 1157">standard round corners; specify square or 3/8" radius otherwise</p>	
#14.730	stainless steel	55 mm	Mortise only	satin stainless steel
#14.7301	stainless steel	55 mm	Mortise only	polished stainless steel
 <p data-bbox="89 1638 332 1692">Entry mortise lock series for skeleton keys, 14.7350: with solid latch bolt</p>	satin stainless steel		 <p data-bbox="901 1665 1209 1713">standard round corners; specify square or 3/8" radius otherwise</p>	
#14.7350	satin stainless steel	55 mm	Mortise only	satin stainless steel



Order number	Material	Back set	Specifics	Finish
<p>escutcheon plate entry model round holes square holes</p>				
#14.129.508	Stainless Steel		Pair; one round holes, one square holes	Satin stainless steel
#14.129.308	Stainless Steel		Pair; one round holes, one square holes	Polished stainless steel
#14.128.508	Stainless Steel		Single; round holes	Satin stainless steel
#14.127.508	Stainless Steel		Single; square holes	Satin stainless steel
<p>escutcheon plate privacy model round holes / square holes</p>				
#14.119.508	Stainless Steel		Pair; one round holes, one square holes	Satin stainless steel
#14.119.308	Stainless Steel		Pair; one round holes, one square holes	Polished stainless steel
#14.118.508	Stainless Steel		Single; round holes With thumb-turn attached	Satin stainless steel
#14.117.508	Stainless Steel		Single; square holes With red/green indicator	Satin stainless steel
#14.117.308	Stainless Steel		Single; square holes With red/green indicator	Polished stainless steel
#14.116.508	Stainless Steel		Single; square holes With slotted indicator	Satin stainless steel
#14.116.308	Stainless Steel		Single; square holes With slotted indicator	Polished stainless steel
<p>#05.599 Profile cylinder covers, spring loaded.</p>				
05.599.608	PC cover 3 mm	Stainless steel	Overall sizes: 29 x 58 x 12 mm	
05.599I.608	PC cover 8 mm	Stainless steel	Overall sizes: 29 x 58 x 17 mm	




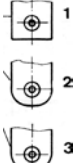
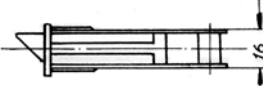
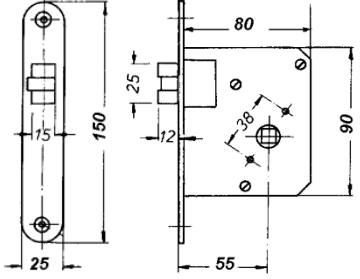

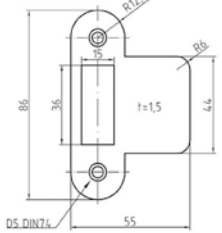

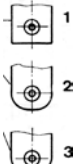
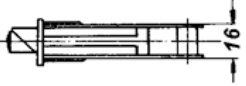
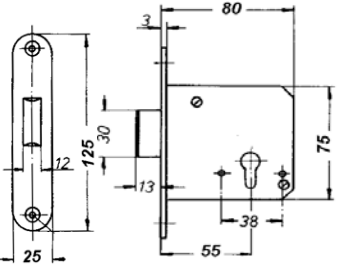
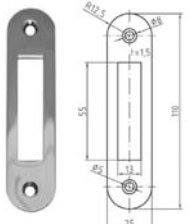
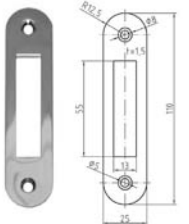
Order number	Material	Back set	Specifics	Finish
<p>escutcheon plate passage model round holes square holes</p>			<p>escutcheon plate mounting: through bolts with square female nut on outside, Philips head on inside</p>	
#14.109.266	Brass		Pair; one round holes, onle square holes	Polished chrome
#14.109.508	Stainless Steel	55 mm	Pair; one round holes, onle square holes	Satin stainless steel
#14.109.308	Stainless Steel	55 mm	Pair; one round holes, onle square holes	Polished stainless steel
#14.108.508	Stainless Steel		Single; round holes	Satin stainless steel
#14.107.508	Stainless Steel		Single; square holes	Satin stainless steel
<p>nylon insert bearing for escutcheon plates escutcheon plate drawing showing installed nylon bearing</p>			<p>Thumb turn with 7 x 7 mm square stock for use with escutcheon #14.118.508</p>	<p>Through bolts, set, Stainless steel Indicate size For use with escutcheons</p>
#14.1TT	Thumb-turn		Single, 7 x 7 mm spindle	Satin chrome brass
#14.139	Nylon		Bearing for escutcheon each	nylon
#14.149	Through bolts		Set, male-female ,	Stainless steel
<p>lever set with stainless steel spindle</p>				
#14.999.508	stainless steel		Lever handle set satin stainless steel	
#14.999.308	stainless steel		Lever handle set polished stainless steel	
<p>lever set 2x 10 mm EXTENDED with stainless steel spindle</p>				
#14.99A.508	stainless steel		Lever handle set satin stainless steel	
#14.99A.308	stainless steel		Lever handle set polished stainless steel	



Order number	Material		Specifics	Finish
<p>strike plate for passage lock, full size round corners</p>	Stainless steel	<p>standard round corners;</p>	<p>strike plate for passage lock, round corner</p>	
14.626	Stainless steel	specify	Strike plate passage full size lip 29 mm	Satin stainless steel
14.626I	Stainless steel	specify	Strike plate passage full size lip 29 mm	Polished stainless steel
<p>strike plate for entry lock</p>	Stainless steel	<p>standard round corners;</p>	<p>strike plate for entry lock, round corner</p>	
14.231.508	Stainless steel	specify	Strike plate entry lip 29 mm	Satin stainless steel
14.231.308	Stainless steel	specify	Strike plate entry lip 29 mm	Polished stainless steel
<p>strike plate for passage lock, long lip full size corners type 3</p>	Stainless steel	<p>standard round corners;</p>	<p>strike plate for passage lock, full size round</p>	
14.626S	Stainless steel	specify	Strike plate passage full size lip 47.5 mm	Satin stainless steel
14.626P	Stainless steel	specify	Strike plate passage full size lip 47.5 mm	Polished stainless steel
<p>strike plate for entry lock, long lip</p>	Stainless steel	<p>standard round corners;</p>	<p>strike plate for entry lock, round corner type 3</p>	
14.231S	Stainless steel	specify	Strike plate entry lip 47.5 mm	Satin stainless steel
14.231P	Stainless steel	specify	Strike plate entry lip 47.5 mm	Polished stainless steel

WE BEND AND CUT STRIKE PLATES ACCORDING TO YOUR SPECIFICATIONS



Order number	Material	Backset	Specifics	Finish
		 <p>standard is round corners; specify square or 3/8" radius otherwise</p>	 <p>Thickness lock case 5/8" or 15 mm</p>	 <p>Mortise Latch #14.220 corners type 3</p>
14.220	Brass	55 mm	Latch for 9x9 mm spindle	Polished Lacquered brass
14.221	Brass	55 mm	Latch for 9x9 mm spindle	Chrome plate brass
				
14.251	Brass		Strike plate passage lip 29 mm	Chrome plate brass
14.2511	Brass		Strike plate passage lip cut and bend 17 mm	Chrome plate brass
		 <p>standard is round corners; specify square or 3/8" radius otherwise</p>		 <p>deadbolt mortise lock #14.17Z</p>
14.17Z	Brass	55 mm	Operates through Profile Cylinder	Chrome plate brass
14.17Z1	Brass	55 mm	Operates through Profile Cylinder	Chrome plate brass
				
14.241	Brass		Strike plate dead bolt	Polished Lacquered brass
14.2411	Brass		Strike plate dead bolt	Chrome plate brass



18.931F SET: Passage Classic Latch with oval escutcheon and ships lever + strike plate
Lever handle classic, big #18.956 + oval escutcheon #18.931; half size latch #14.220
Lever handle 107 x 42 mm; Escutcheon rose, oval: 82 x 38 mm Latch: see page 1-4-L



10.368F SET Classic Passage Set Full size: ; Passage latch #14.73F3
Lever handle classic, big #18.956 + oval escutcheon #10.369; Latch: See page 1-4-G
Lever handle 107 x 42 mm; Escutcheon plate, oval: 210 x 50 mm



10.368; skeleton key #10.369; passage #10.367; PC #10.370; privacy
Escutcheon plate, oval: 210 x 50 mm



#10.9345Z SET Classic Style Entry lock with round roses and PC keyway
Details roses see page 1-10; details lock: Page 1-4-G; Keyway: Page 0-5

Izerwaren
Order
numbers

Finish:
All levers and escutcheons shown
are polished chrome plated brass.

18.956 **Lever handles, Classic, large**
107 x 42 mm

18.931 **Escutcheon rose, Classic, oval**
82 x 38 mm

10.369 **Escutcheon plate, Classic, oval**
210 x 50 mm; Passage

10.370 **Escutcheon plate, Classic, oval**
210 x 50 mm; Privacy

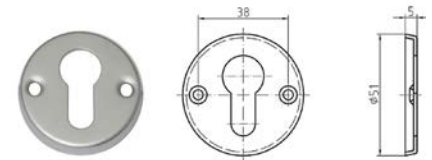
10.367 **Escutcheon plate, Classic, oval**
210 x 50 mm; Profile Cylinder

10.368 **Escutcheon plate, Classic, oval**
210 x 50 mm; Skeleton Key

16.9245 **Rose, Classic round, 51 mm diameter**



17.5 mm diameter hole for full size levers



16.020 **PC rose; #16.020; 51 mm diameter**



10.368W **#10.368W Privacy set Complete.**

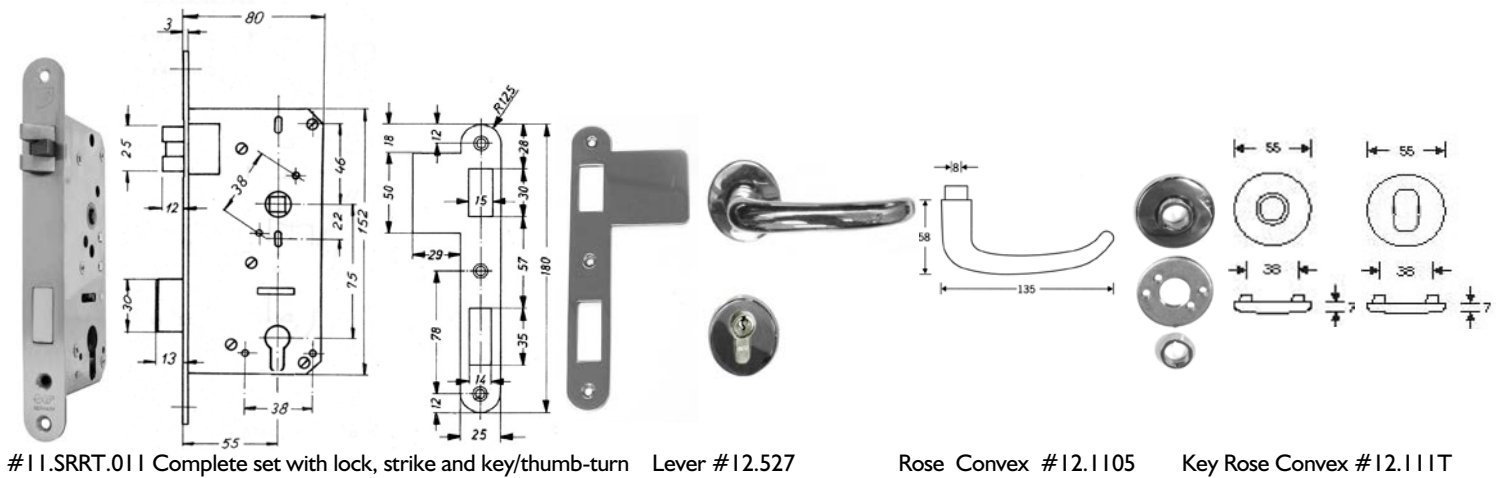
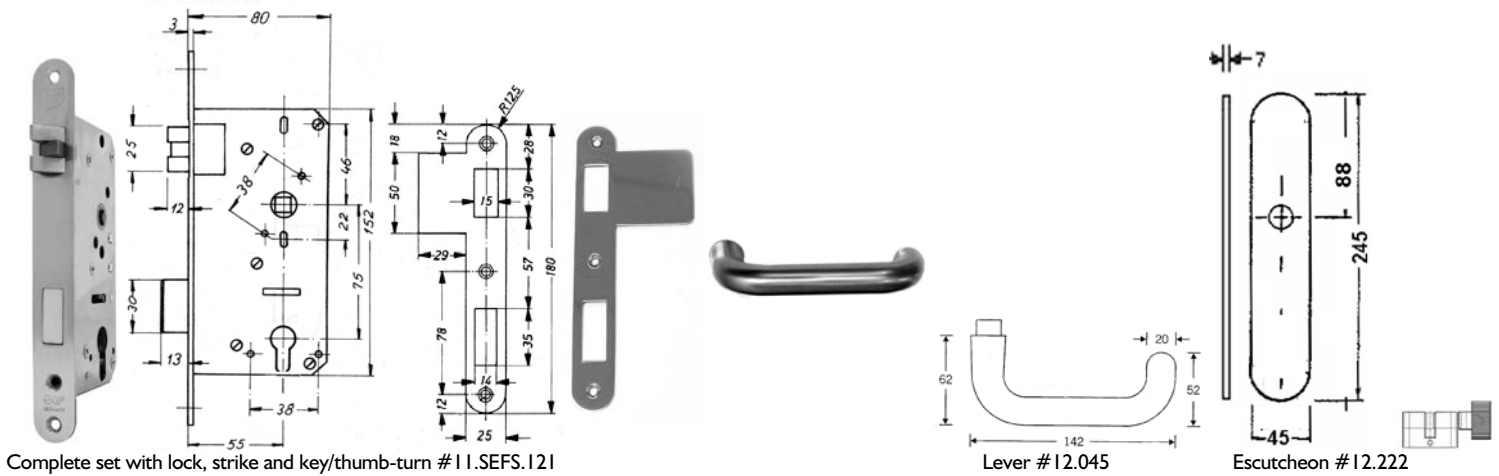
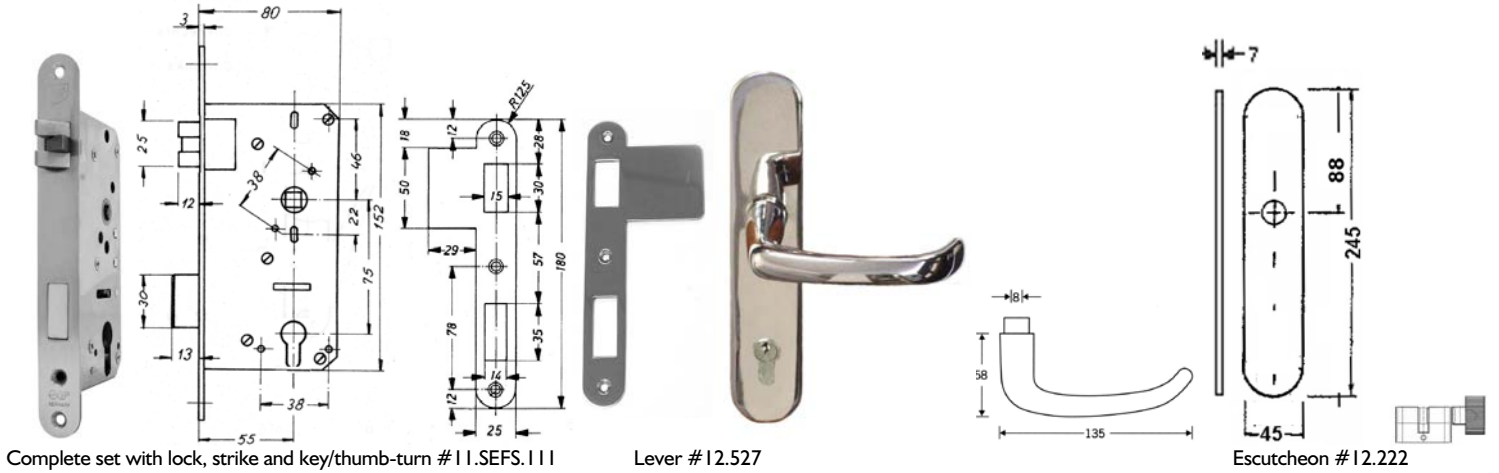


10.9345Z **Entry set Complete #10.9345Z**
Details round roses: see Page 1-10;
Details lock: Page 1-4-C;
Details keyway: Page 0-5



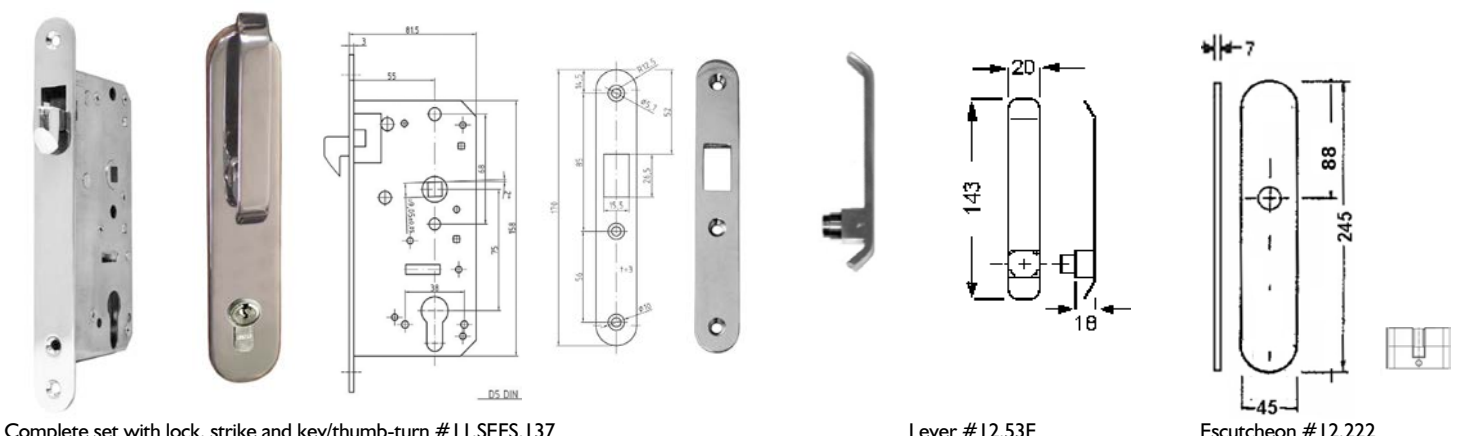
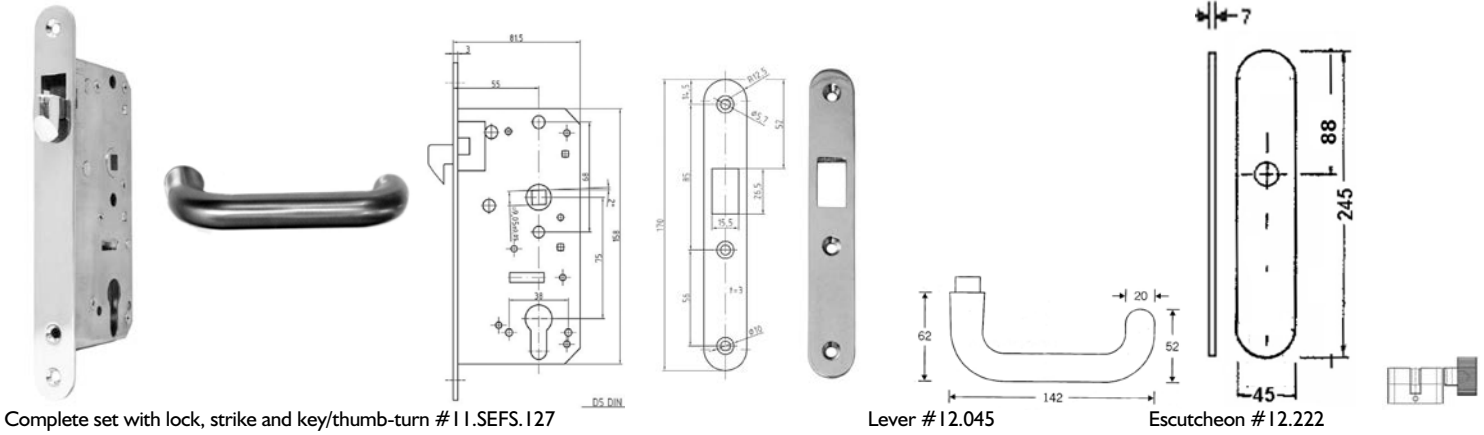
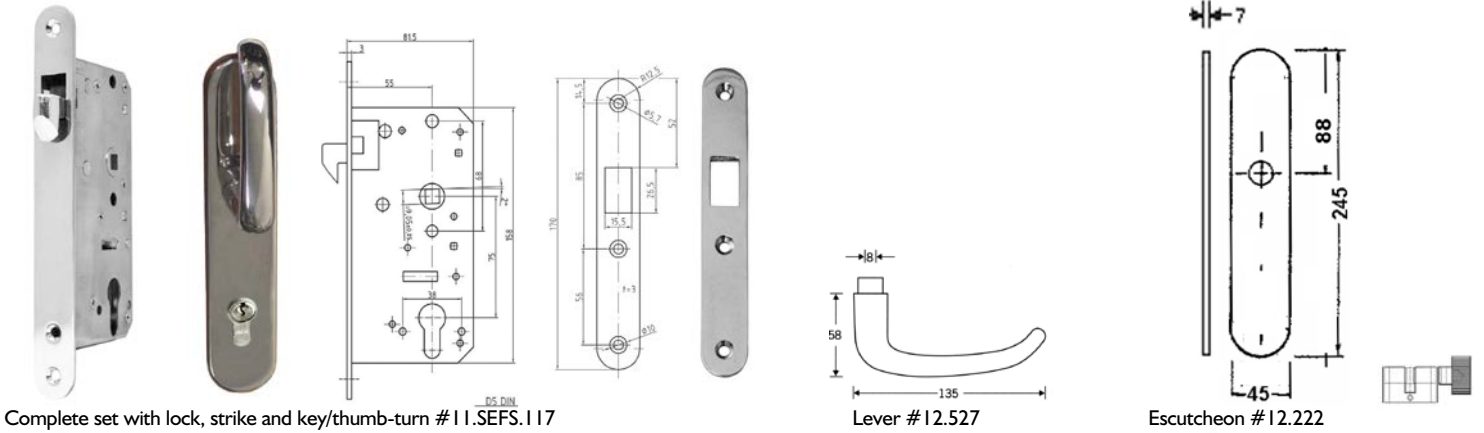
S&B and GSV Marine Door Locks, with **UPGRADE** to Mirror Polished Stainless Steel Exterior Yacht Doors.

Suitable for aluminum, wood, fiberglass and steel swinging and sliding doors. 55 mm backset



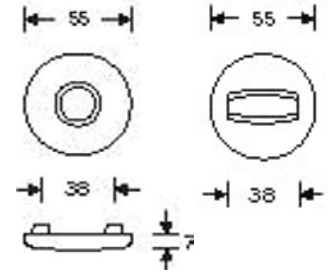
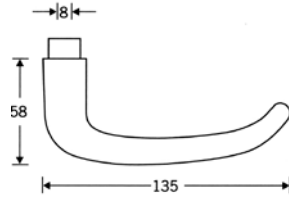


S&B and GSV Marine Door Locks, with **UPGRADE** to Mirror Polished Stainless Steel Exterior Yacht Doors.
Suitable for aluminum, wood, fiberglass and steel swinging and sliding doors. 55 mm backset





S&B and GSV Marine Door Locks, 55 mm backset, with **UPGRADE** to Mirror Polished Stainless Steel Exterior Yacht Doors.

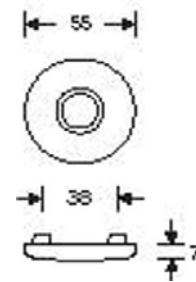
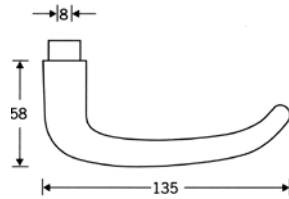


#11.SRFT.017 Complete **Privacy** Lock SET,
#11.SRFT.027 Complete **Privacy** Lock SET,

Lever #12.527
Lever #12.527

Rose Convex #12.110C
Rose Flat #12.110F

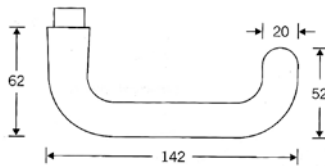
Thumb-turn
Thumb-turn set



#11.SRFT.037 Complete **passage** lock SET

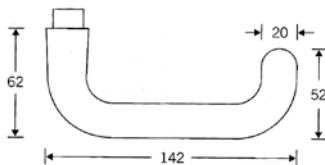
Lever #12.527

Rose Convex #12.110C



#11.SRFT.021 Complete **privacy** lock set with Lever #11.045 Lever with rose convex #12.110C

Thumb-turn/indicator set



#11.SRFT.137 Complete **passage** lock set with Lever #11.045 Lever with rose convex #12.110C



Izerwaren
Order
numbers

- Stainless Steel Heavy Duty Mortise Lock
- Backset 65 mm
- Standard finish: Satin stainless steel
- Option: Mirror Polished Stainless Steel

14.3127ZE **Set:** Entry Door Mortise Lock: Levers, escutcheons, strike plate and profile cylinder

14.3127 Entry Door Mortise Lock separate
 Lock case: 97 mm x 164 mm x 16 mm
 Backset 65 mm PC= 72 mm
 Front plate 235 x 24 mm
 For 9x9 mm spindle

14.0031 Strike plate entry separate stainless steel



Entry lock set #14.3127ZE 65 mm backset

14.3127ZR **Set:** Entry Door Mortise Lock : Levers, roses, strike plate and profile cylinder



Entry lock set #14.3127ZR 65 mm backset

#14.3127 Entry lock heavy duty

14.3178WR **Set:** Privacy Door Mortise Lock: Levers, roses, Thumb-turn/indicator with roses, strike plate.

14.3178 Privacy Door Mortise Lock separate
 Lock case: 97 mm x 164 mm x 16 mm
 Backset 65 mm WC= 72 mm
 Front plate 235 x 24 mm
 For 9x9 mm spindle



Privacy lock set #14.3178WR 65 mm backset

14.3189FR **Set:** Passage Door Mortise Lock: Levers, roses

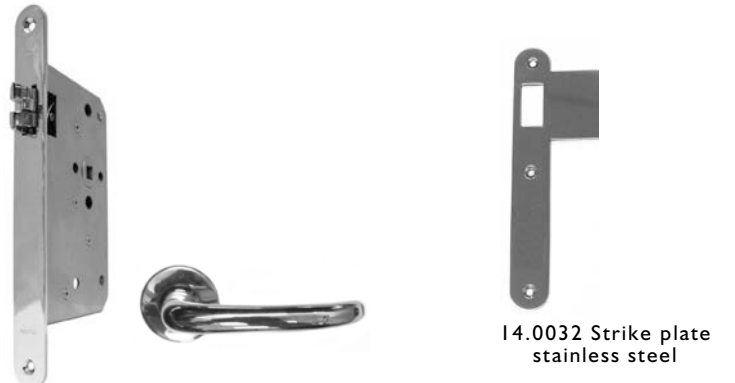
14.3189 Passage Door Mortise Lock separate
 Lock case: 97 mm x 164 mm x 16 mm
 Backset 65 mm stainless steel
 Front plate 235 x 24 mm

14.0032 **Strike plate** Passage stainless steel

12.527 Lever # 12.527; 135 mm long; stands off 58 mm Stainless steel

12.110S Rose #12.110S; 55 mm diameter Stainless steel fire rated

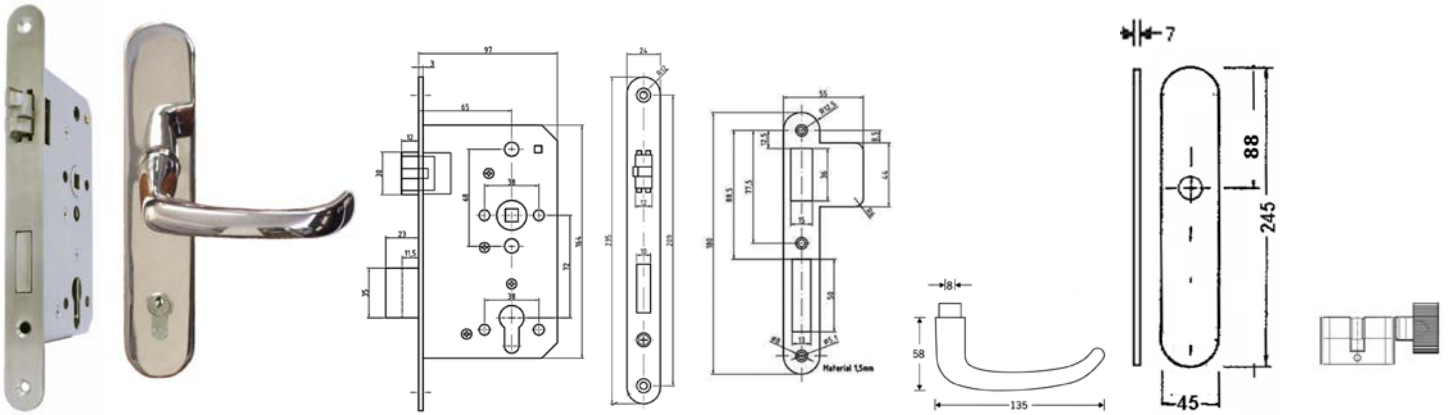
12.222 #12.222 Escutcheon 45 x 245 mm Stainless steel; escutcheon available for entry, privacy and passage set up



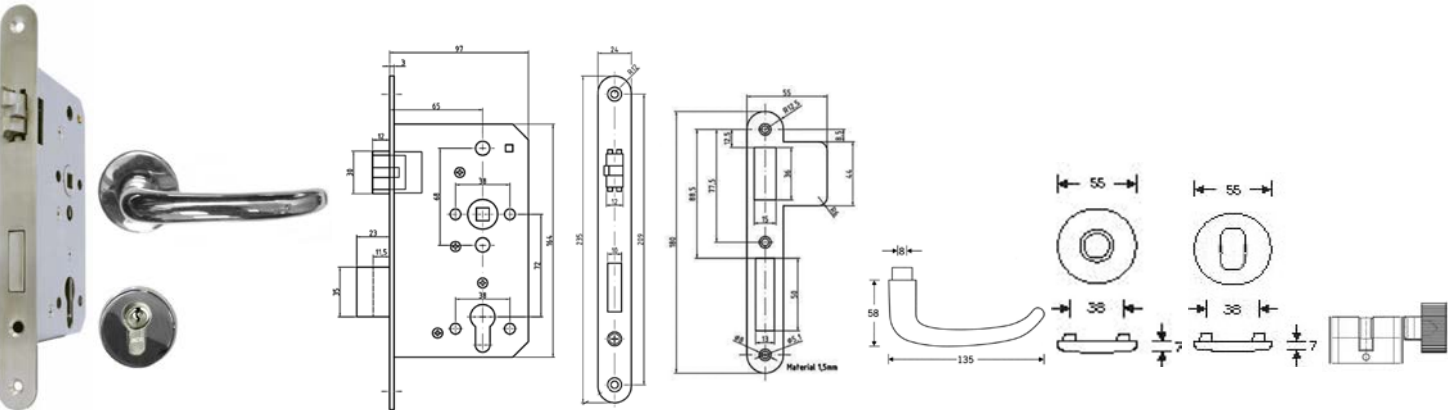
Passage lock set #14.3189FR 65 mm backset

14.0032 Strike plate stainless steel

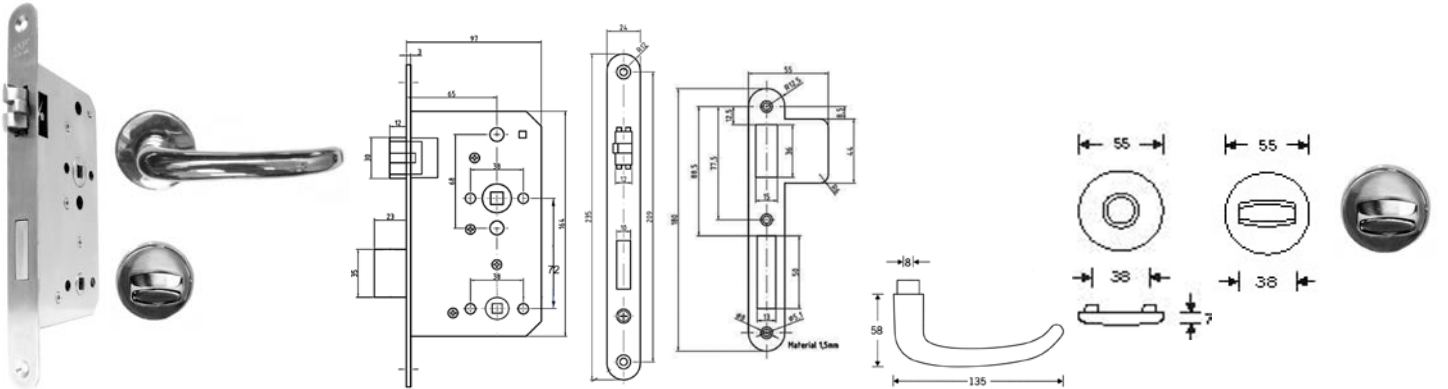
For profile cylinder specifics: see page 0-5



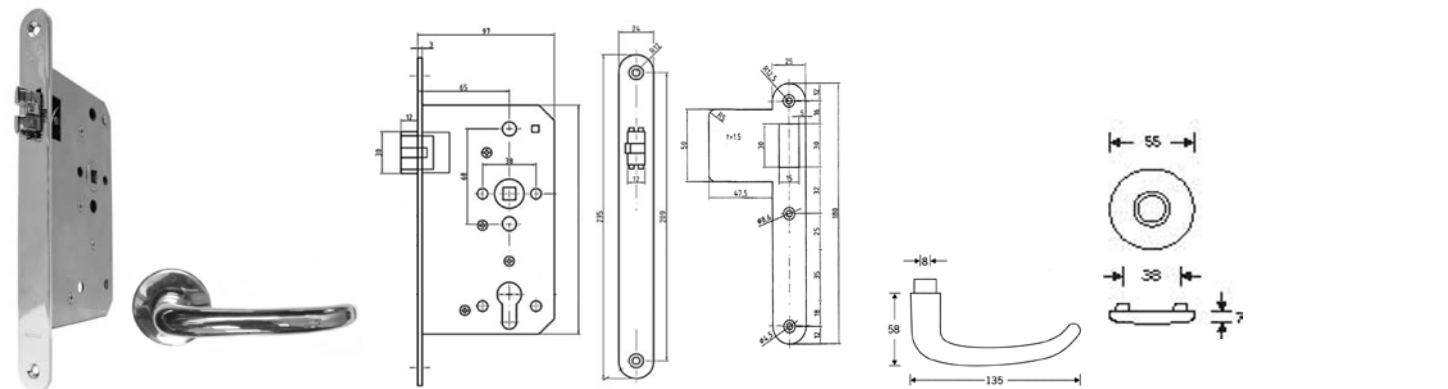
Entry lock set #14.3127ZE 65 mm backset with lever and escutcheons and keyway



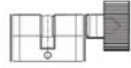
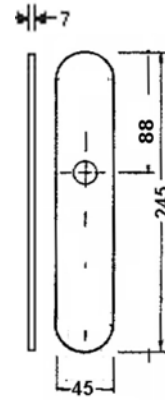
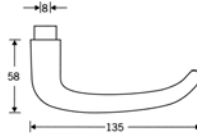
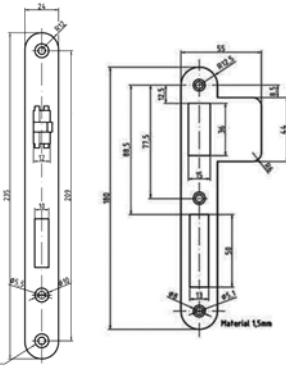
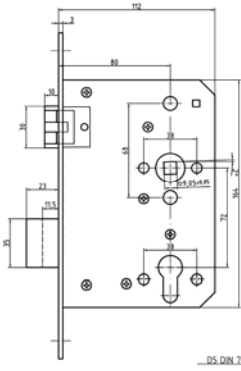
Entry lock set #14.3127ZR 65 mm backset with lever and convex roses and keyway /thumb-turn



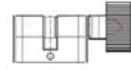
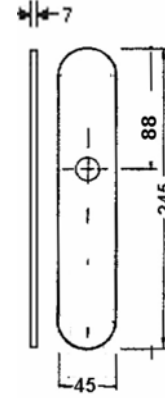
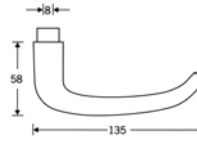
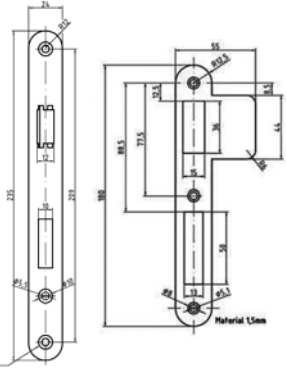
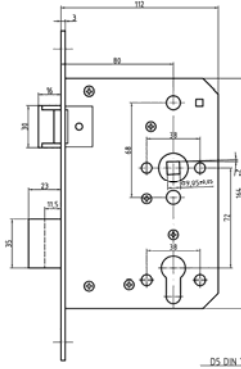
Privacy lock set #14.3178WR 65 mm backset with lever and convex roses and thumb-turn / indicator



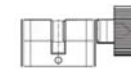
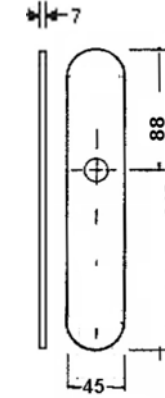
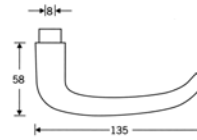
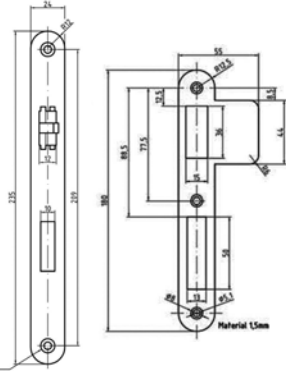
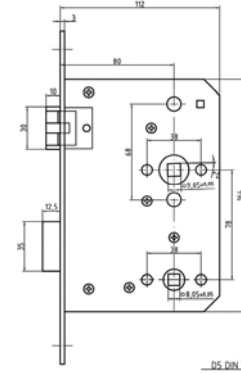
#14.3189FR Passage lock 65 mm backset with lever and convex roses



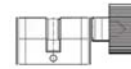
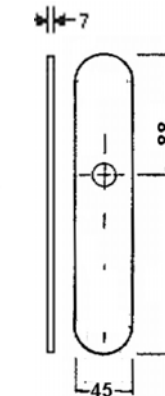
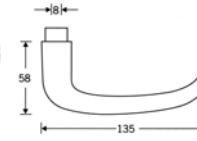
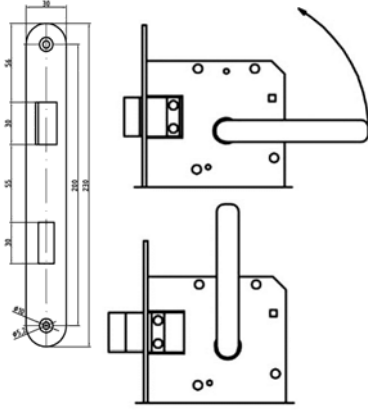
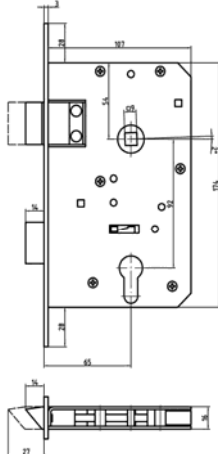
Entry lock set #14.3127ZE 80 mm backset with lever and escutcheons and keyway



Entry lock set #14.3127ZE? 80 mm backset **With Long solid 16 mm latch bolt**



Privacy lock set #14.3127ZE? 80 mm backset with lever and escutcheons and thumb-turn / indicator



Set: 14.530ZE **Torque** lock; 65 mm backset; Function: By tilting lever upward 90 degree latch bolt extend 14 mm; Latch bolt protrudes 27 mm total
Lock separate: #14.531 Right hand #14.532 Left hand. Set comes with lever and escutcheons plates and keyway

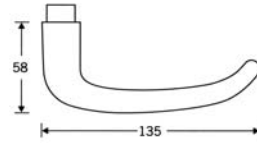
See for separate parts: Page 1-4-D. Other trim options details: See pages 1-1-2 and 1-2.



Izerwaren
Order
Numbers

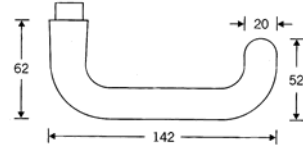
Stainless steel levers
for full size mortise marine locks
Finish: satin stainless steel or
mirror polished stainless steel

12.527 Lever Classic; 135 mm long



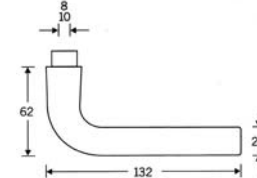
Lever # 12.527; 135 mm long; stands off 58 mm
Rose #12.110; 55 mm diameter

12.045 Lever U shape; 131 mm long



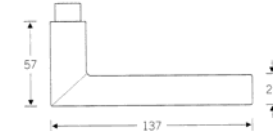
Lever #12.045; 142 mm long; stands off 64 mm; 20 mm diameter

12.547 Lever L shape; 132 mm long
Round corner



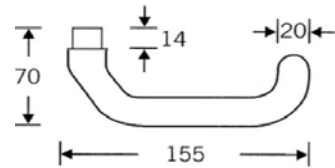
Lever #12.547; 132 mm long; stands off 64 mm; 20 mm diameter

12.576 Lever L shape; 132 mm long
Square corner



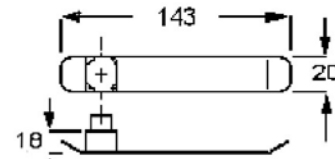
Lever #12.576; 137 mm long; stands off 57 mm; 20 mm diameter

12.021 Lever Cropped; 155 mm long



Lever #12.021; 155 mm long; stands off 56 mm; 20 mm diameter

12.53F Lever Semi Flush; 143 mm long



Lever #12.53F; 143 mm long; stands off 25 mm with standard plate; 20 mm wide

12.5SF Lever Semi Flush; 95 mm long



Lever #12.5SF; 95 mm long; stands off 25 mm with standard plate; 20 mm wide

12.329SF



#12.329SF Thumb-turn 30 x 10 mm
On rose #12.1005 flat
Details on roses and escutcheons
See page 1-2.



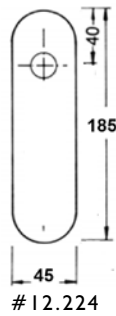
Use Lever Handles with Roses or Escutcheon Plates; See page 1-2 for details



Izerwaren
Order
numbers

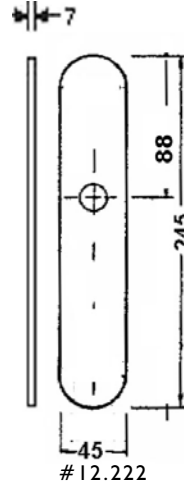
- Stainless Steel Escutcheons for marine locks
- Specify Finish:
- Satin stainless steel
- Mirror Polished stainless steel

12.224 **Stainless steel escutcheon plate**
with radius, 185 x 45 x 7 mm
Clip on style with inner delron escutcheon
Screws invisible



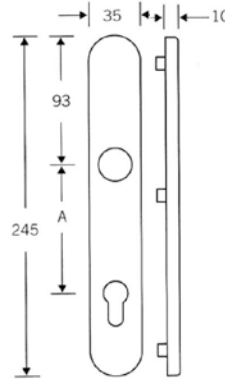
Clip on escutcheon #12.224 with delron inner plate stainless steel

12.222 **Stainless steel escutcheon plate**
with radius, 245 x 45 x 9 mm
Clip on style with inner delron escutcheon
Screws invisible
Custom adaption for any mortise lock function



Clip on escutcheon #12.222 stainless steel with delron inner plate

12.416 **Stainless steel escutcheon plate**
with square corners, 245 x 35 x 10 mm
Screws visible
For Narrow Style Doors.
See pages 1-9-1 and 1-14- and 1-14-A
Cropped lever 12.021: See page 1-1-2



#12.416 escutcheon square corners
#12.417 escutcheon round corners
#12.021 levers, cropped; see page 1-1-2

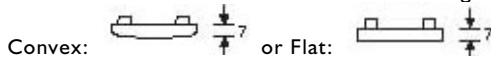
12.417 **Stainless steel escutcheon plate**
with radius, 245 x 35 x 10 mm
Screws visible
For Narrow Style Doors.
See pages 1-9-1 and 1-14- and 1-14-A
Cropped lever 12.021: See page 1-1-2

#12.417



Lever Rose For Fire Rated Doors

12.110CS Convex stainless steel outer & inner rose and bearing.
12.110FS Flat stainless steel outer & inner rose and bearing



#12.110F Rose for levers 55 mm Ø flat; nylon inner rose
#12.110C Rose for levers 55 mm Ø convex; nylon inner r.



#12.111ZF Rose for Profile Cylinder; 55 mm Ø flat
#12.111ZC Rose for Profile Cylinder; 55 mm Ø convex



#12.507 Oval Rose for lever 66.5 x 29.5 mm



#12.517 Oval Rose; for Profile Cylinder 66.5 mm x 29.5 mm



#12.111T Rose for Oval Cylinder; 55 mm Ø convex



#13.329SC SET: Thumb-turn 30 x 10 mm with rose
Showing convex. #13.329SF with flat rose.



IZERWAREN BUDGET SETS FOR DOORS WITH A MINIMUM THICKNESS OF 1 1/8"

izerwaren
Order
numbers

- Minimum door thickness 28 mm 1 1/8"
- BPC polished chrome plated brass
- BSC satin chrome plated brass

**Mortise locks with
backset of 1 9/16"**

16.30Z **SET: Entry set with levers + escutcheons
Strike plate and keyway**

16.421 Entry Mortise Lock separate
Center spindle hole to center key hole: 60 mm
Case: 70 mm x 152 mm x 15/10.5 mm thick
Front plate 200 x 20 mm
For 8x8 mm spindle / door lever handles

16.224 Strike plate for entry lock



#16.224 strike plate

Entry Set: 16.30Z; 40 mm backset

16.30W **SET: Privacy Mortise Lock with levers,
escutcheons, thumb-turn/ indicator**

16.401 Privacy Mortise Lock separate
Center spindle hole to center key hole: 60 mm
Case: 70 mm x 152 mm x 15/10.5 mm thick
Front plate 200 x 20 mm
8 x 8 mm spindle for lever handles
7 x 7 mm spindle for thumb-turn

16.224 Strike plate for privacy lock



#16.224 strike plate

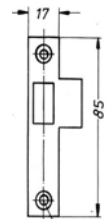
Privacy set: 16.30W; 40 mm backset
With thumb-turn / indicator

16.30F **SET: Passage Mortise Latch with levers and
escutcheons**

16.431 Passage Mortise Latch
Case: 70 mm x 152 mm x 15/10.5 mm thick
Front plate 200 x 20 mm
8 x 8 mm spindle for lever handles

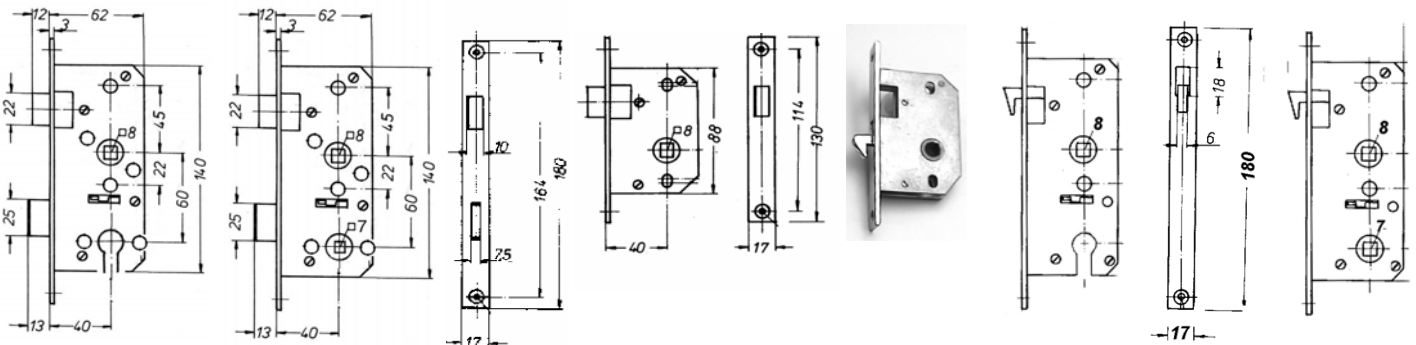
16.225 Strike plate for passage latch

05.407 Profile cylinder key-knob
Short: 26-26 mm with knob; See page 1-5 for details



#16.225 strike plate for
passage latch

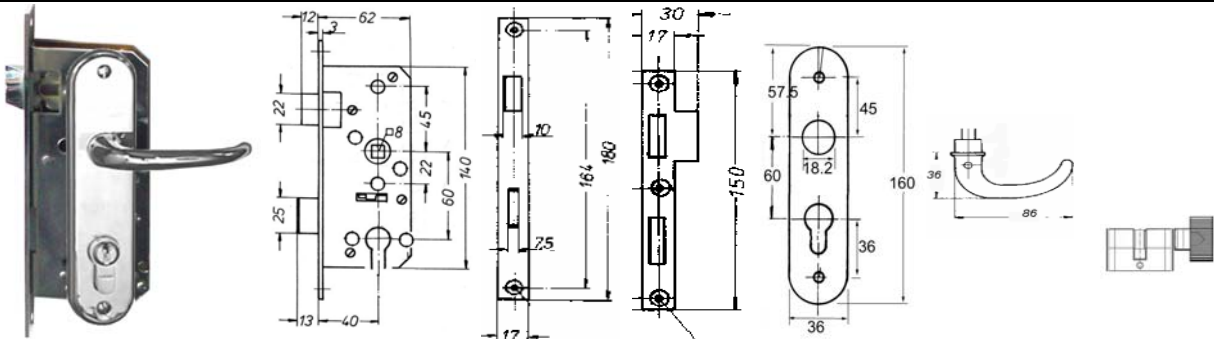
Passage set: 16.30F; 40 mm backset



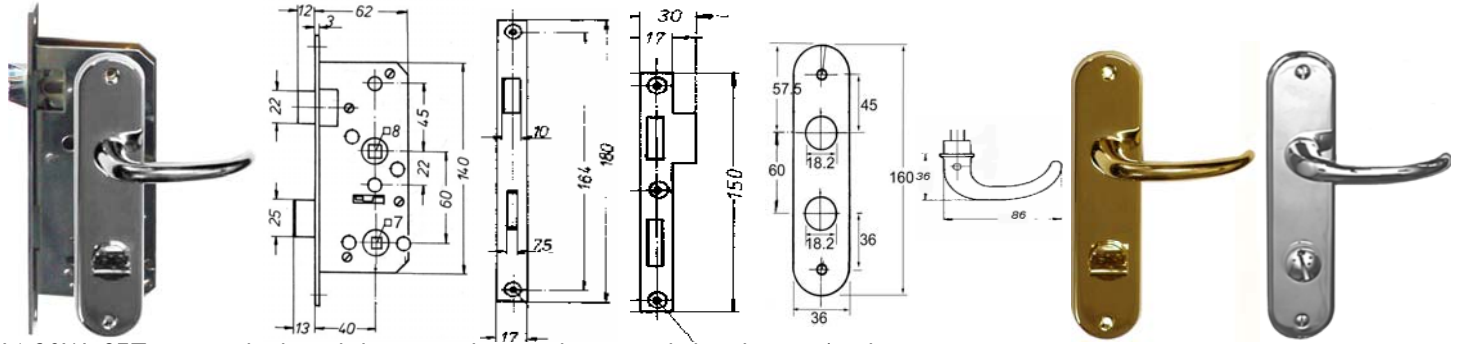
#16.421 key entry #16.401 privacy #16.431 passage #14.891 sliding passage #14.481 sliding key #14.471 sliding WC

Mortise locks light duty separate. For light duty *sliding* door lock sets, please see page 1-6-0; 1-6-0-A and 1-14.

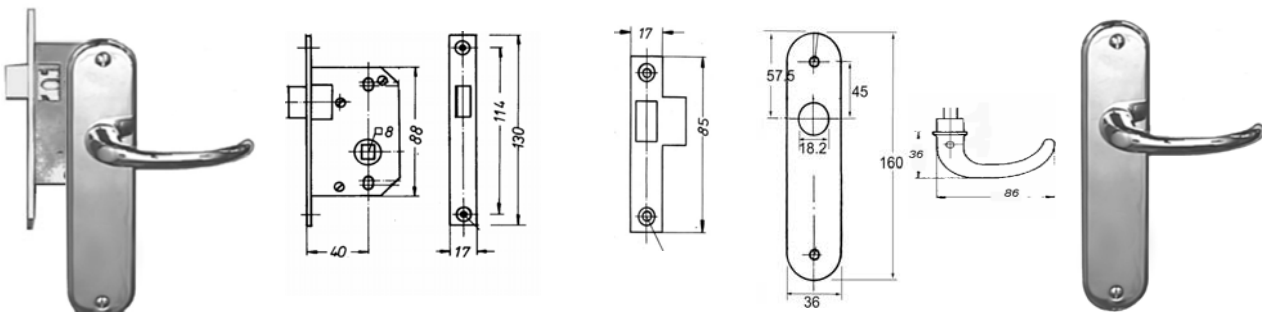
FOR DETAILS AND MORE FUNCTIONS FOR BUDGET TRIM SETS, SEE PAGE 1-6-0 AND 1-6-A



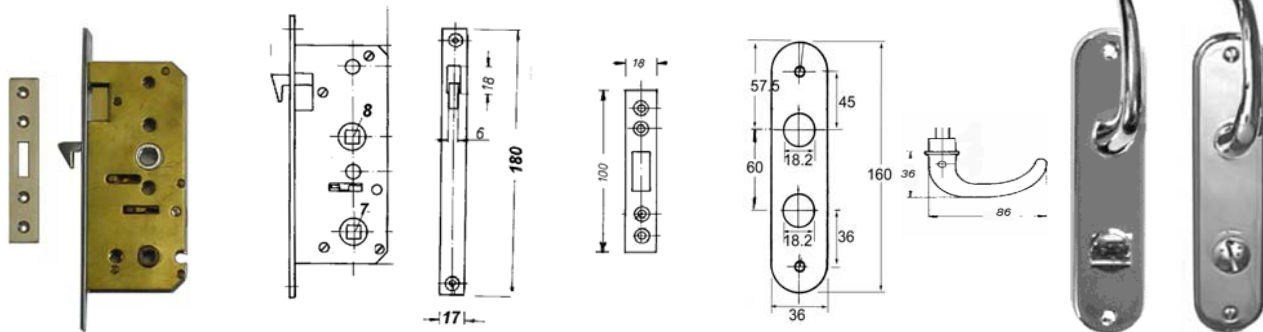
16.30Z; SET entry key lock with levers and escutcheons and profile cylinder with keyway / thumb-turn



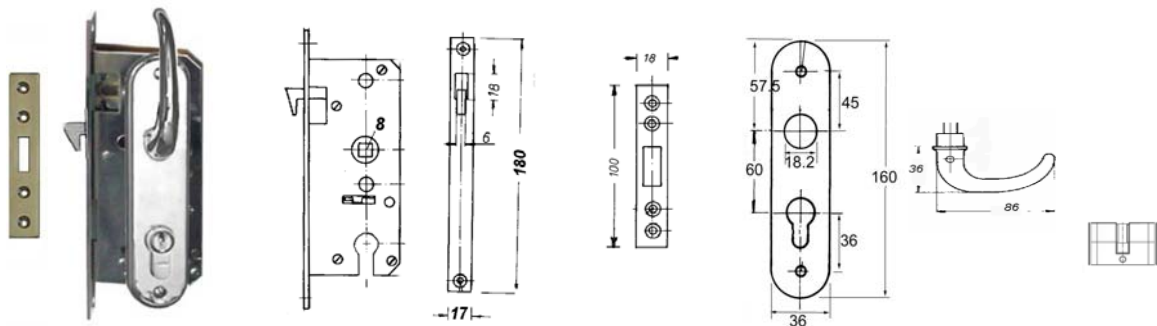
16.30W; SET privacy lock with levers and escutcheons and thumb-turn / indicator



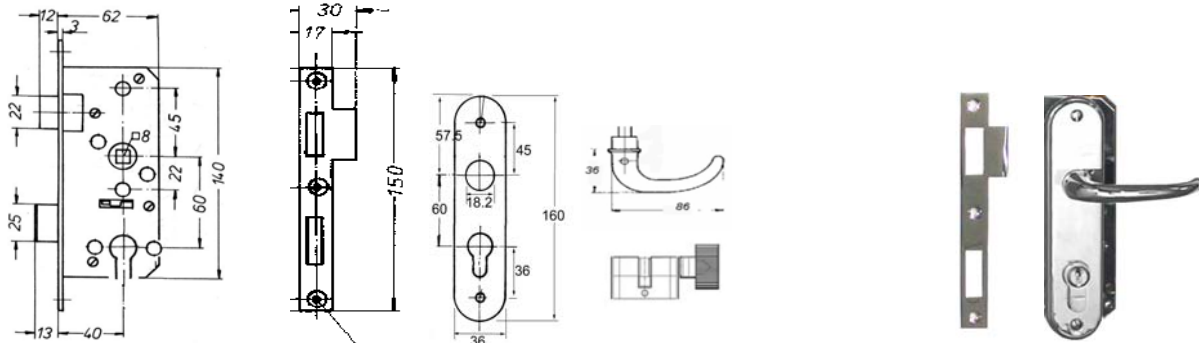
16.30F; SET passage latch with levers and escutcheons



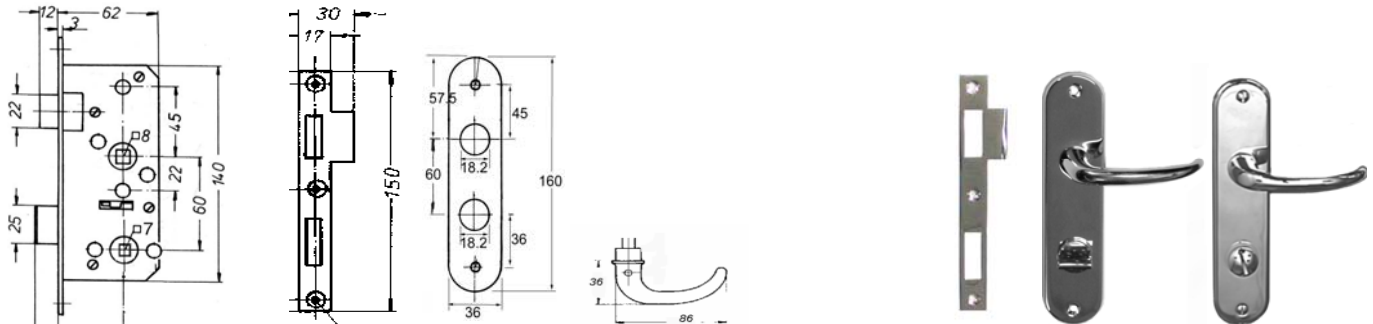
Privacy SET: # 16.3SW; with escutcheons, levers and thumb-turn indicator
MINIMUM DOOR THICKNESS: 1 1/8"



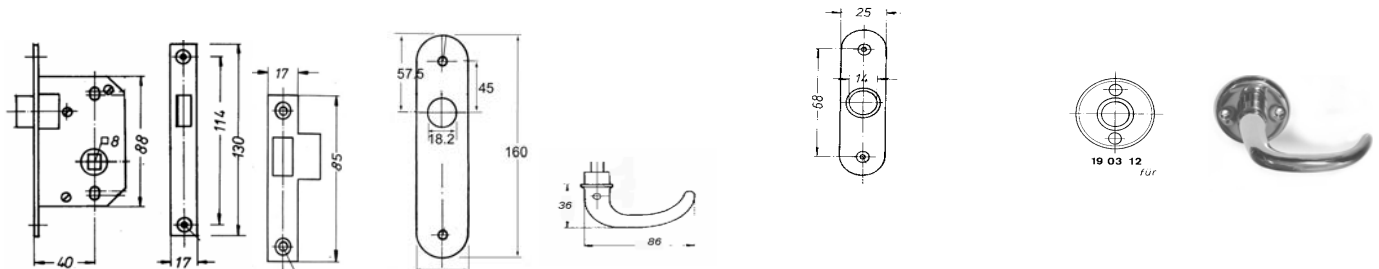
Entry SET: # 16.3SZ entry sliding door lock
MINIMUM DOOR THICKNESS: 1 1/8"



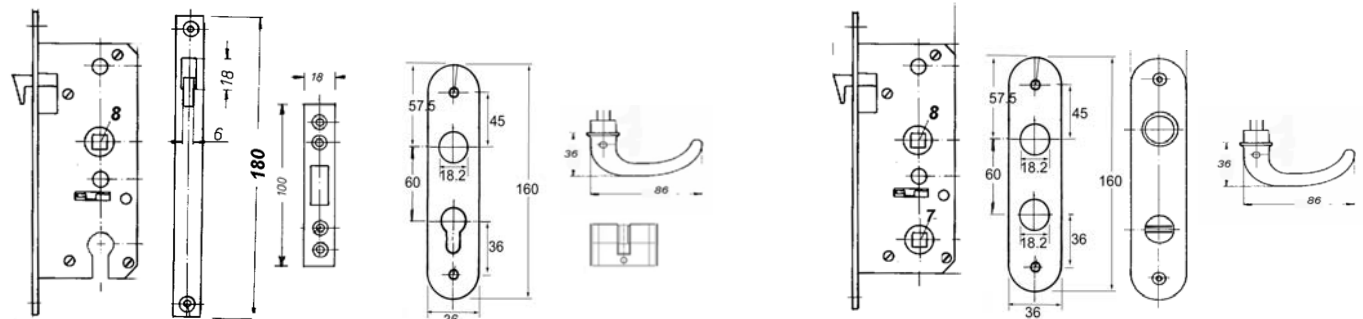
16.421 entry lock for PC 16.224 strike 16.16Z escutcheons 16.740 levers 05.407 PC Keyway



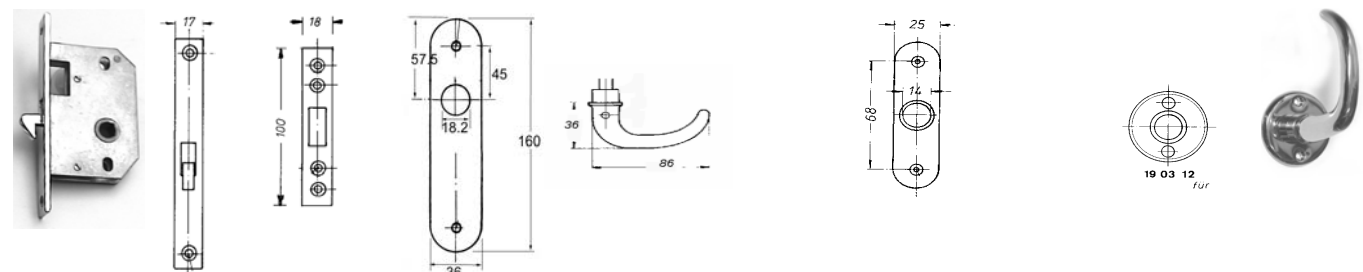
16.401 privacy lock; 16.224 strike 16.16W escutcheons 16.740 levers + thumb-turn / indicator: 16.89M + 16.99M



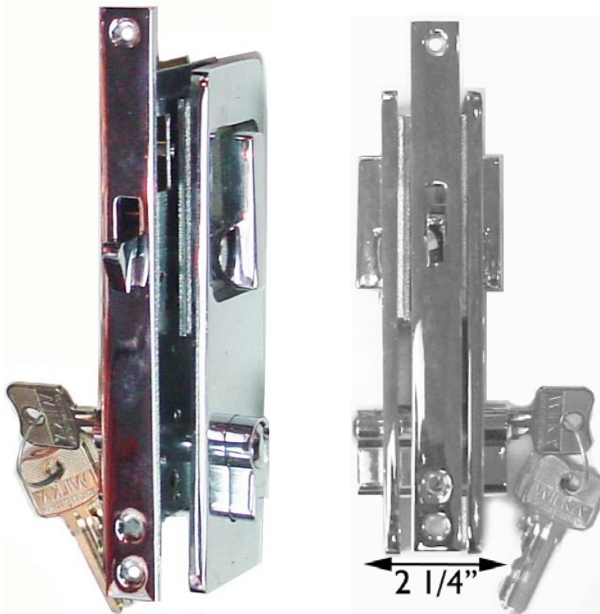
16.431 passage latch 16.225 strike 16.16F plates 16.740 levers 18.087 oval rose #16.924 rose 50 mm diameter;



14.481 entry sliding lock PC 14.48S strike 16.16Z plates 16.740 levers 14.471 WC 16.16WC pair 16.740 Levers 05.407 Keyway 26/26 mm 16.89M + 16.99M thumb-turn / indicator



14.891 passage sliding latch; 14.48S strike; 16.16F plates; 16.740 levers; 18.087 oval rose; #16.924 rose 50 mm diameter;



Entry SET #16.99Z with Profile cylinder keyway
MINIMUM DOOR THICKNESS: 1";



SET: #16.99W privacy with knob / indicator
MINIMUM DOOR THICKNESS: 1";



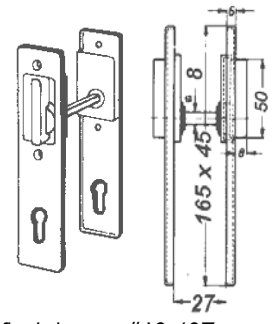
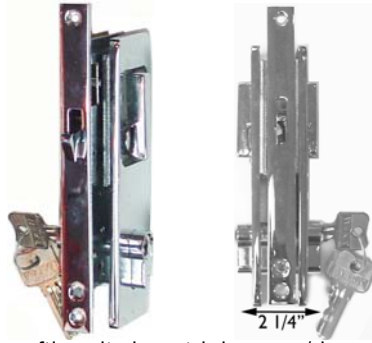
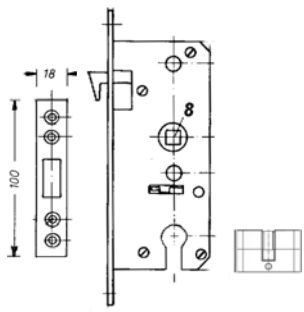
SET: #16.99F Passage pocket door latch
MINIMUM DOOR THICKNESS: 1";
FOR DETAILS SEE PAGE 1-6-0; 1-6-A; 1-6-B



Privacy SET: #16.78W; Pocket door set w. flush levers
MINIMUM DOOR THICKNESS: 1 1/8";
FOR DETAILS SEE PAGE 5-2-D



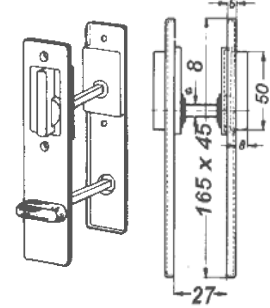
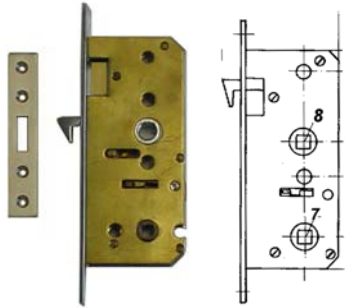
SET: #13.R95; Sliding Lock with Privacy function; Flap lever inside, indicator outside
MINIMUM DOOR THICKNESS: 1 1/5"; size square cups: 2 1/6" x 2 1/16".
FOR DETAILS SEE PAGE 1-13-H; 1-13-I and 5-1-C and 5-2-E



Entry SET: #16.99Z; for entry pocket door; and profile cylinder with keyway / keyway

with flush levers #12.49Z

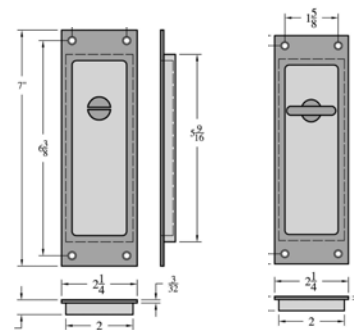
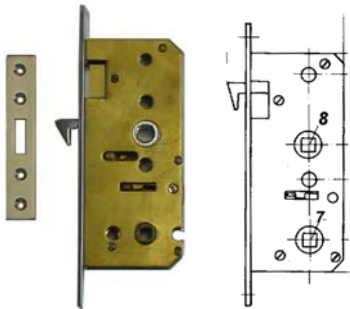
MINIMUM DOOR THICKNESS: 1"; Levers Extend 9/16" from surface on each side of door; key way width is 2 1/4"



SET: #16.99W for pocket doors

with flush levers #12.49W

MINIMUM DOOR THICKNESS: 1"; Levers Extend 9/16" from surface on each side of door

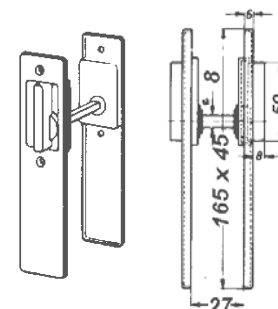
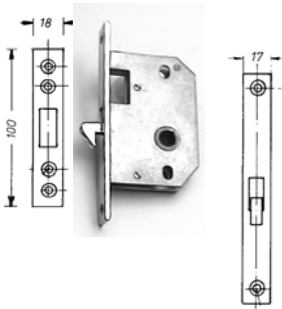


Privacy SET: #16.78W; Pocket door set w. flush levers

#13.CSE set thickness plates each: 1 1/32" or 8.74 mm

MINIMUM DOOR THICKNESS: 1 1/8";

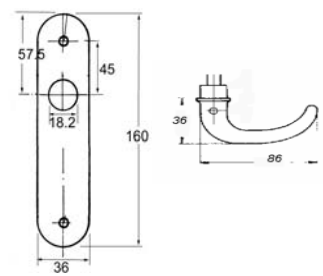
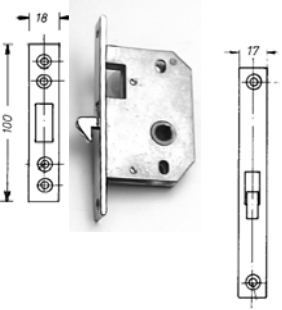
Lever extend 5/16" from surface on each side of door



SET: #16.99F for pocket doors

with flush levers #12.49F

MINIMUM DOOR THICKNESS: 1"; Levers Extend 9/16" from surface on each side of door



SET: #16.3SF sliding passage lock;

MINIMUM DOOR THICKNESS: 1 1/8";

with escutcheon 16.16F Lever 16.740



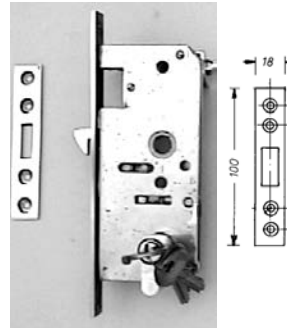
Izerwaren
Order
numbers

- Mortise Sliding Door locks, backset 40 mm - 1 9/16"
- Minimum door thickness 23 mm - 7/8"
- Solid brass hook bolt; Strike plate included with lock
- With square corners on lock & strike plate
- Finish: Polished Chrome Plated Brass

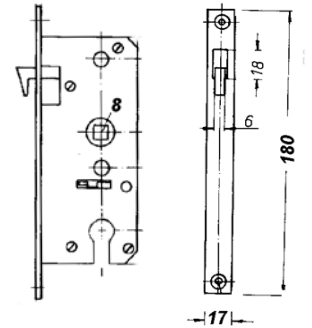
LIGHT DUTY up to 50 lbs

14.481 Entry Sliding Mortise Lock, Light Duty For doors up to 50 lbs.

40 mm backset - for use with profile cylinder
Center spindle hole to center key hole: 60 mm
Case: 62 mm x 140 mm x 12 mm thick
Front plate 180 x 17 mm
8x8 mm spindle / door lever handles



#14.481 Profile Cylinder



#14.481 PC sliding lock, hook bolt

14.491 Entry Sliding Mortise Lock, Light Duty
40 mm backset - for use with skeleton key

14.485 Strike plate

14.471 Privacy Sliding Mortise Lock, Light Duty

Center spindle hole to center key hole: 60 mm
Case: 62 mm x 140 mm x 12 mm thick
Front plate 180 x 17 mm
8x8 mm spindle / door lever handles
7x7 mm for thumb-turn:

14.485 Strike plate

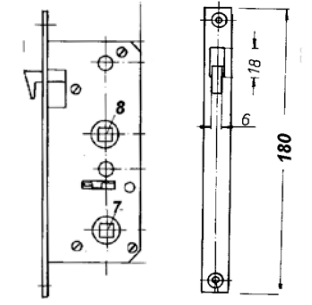
14.891 Passage Sliding Mortise Lock, brass, Light Duty

Case: 62 mm x 140 mm x 12 mm thick
Front plate 180 x 17 mm
For 8x8 mm spindle / door lever handles

14.485 Strike plate



#14.891 passage sliding latch



#14.471 WC sliding lock, hook bolt

MEDIUM DUTY up to 110 lbs

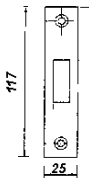
STAINLESS STEEL SLIDING DOOR LOCKS

- backset 40 mm - 1 9/16" and backset 18 mm ~ 3/4"
- Minimum door thickness 28 mm - 1 1/8"
- Stainless steel hook bolt
- Strike plate included with lock
- For up to 110 lbs doors

14.152 Entry Sliding Mortise Lock Heavy Duty (6152)

Center spindle hole to center key hole: 92 mm
Case: 61 mm x 194 mm x 15 mm thick
Front plate 250 x 25 mm
8x8 mm spindle / door lever handles

14.155 Strike plate 117 x 25 x 4 mm (6152)



14.C19 Entry Sliding Mortise Lock Heavy Duty (14.C19)
18 mm backset or 3/4 inch

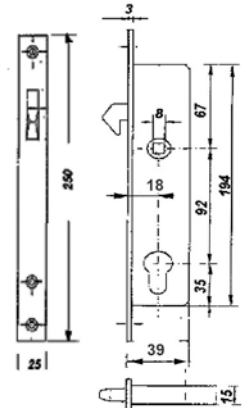
Also available as Privacy and Passage Lock
Entry or Privacy function determined by Profile Cylinder



picture: Entry function; Key-Key.
See page 0-5-1 for details



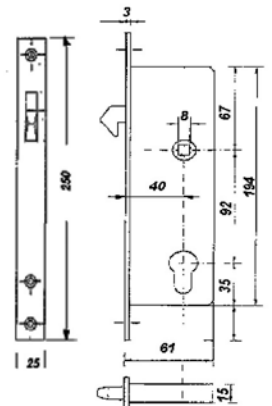
Lock #14.C19
18 mm backset
For trim see page #1-14-A



Lock #14.C19
3/4" backset

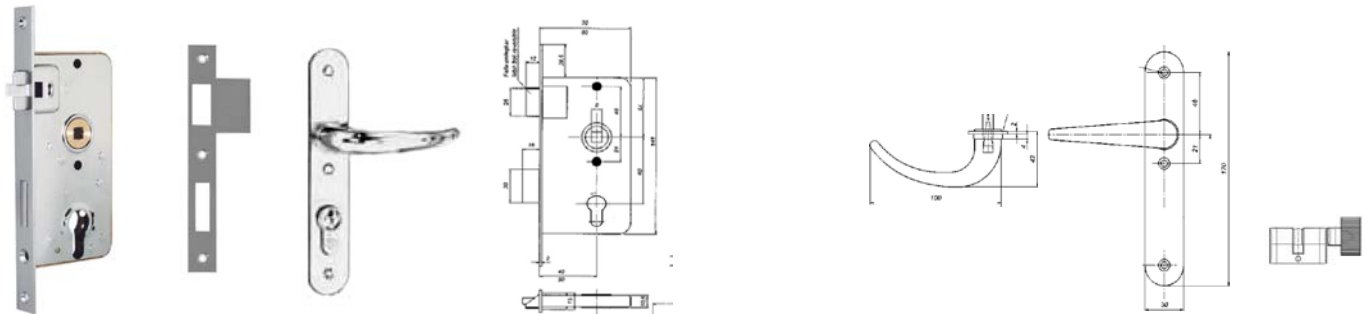


Lock #14.152
Strike #14.155
40 mm backset
For trim see page #1-14-A

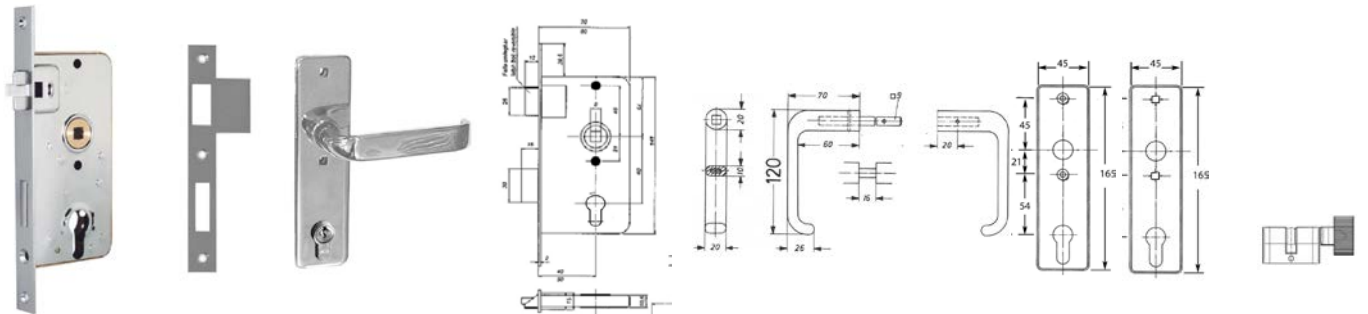


Lock #14.152
40 mm or 1 9/16" backset

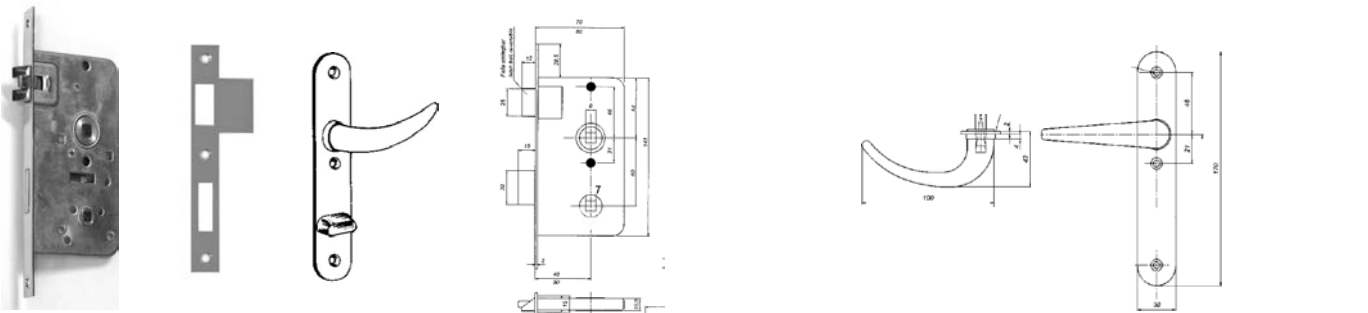
For complete sets: See page I-14-A and I-14-B



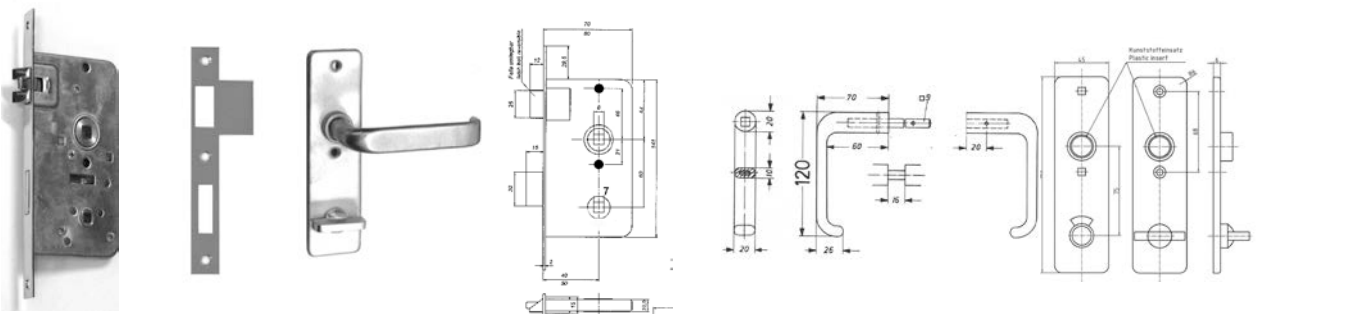
SET: 16.S04Z Entry lockset 40 mm backset with standard escutcheon and lever, keyway and strike.
SET: 16.S05Z Entry lockset 50 mm backset with standard escutcheon and lever, keyway and strike.



SET: 16.R04Z Entry lockset 40 mm backset with rectangular escutcheon and half sable lever, keyway and strike.
SET: 16.R05Z Entry lockset 50 mm backset with rectangular escutcheon and half sable lever, keyway and strike.

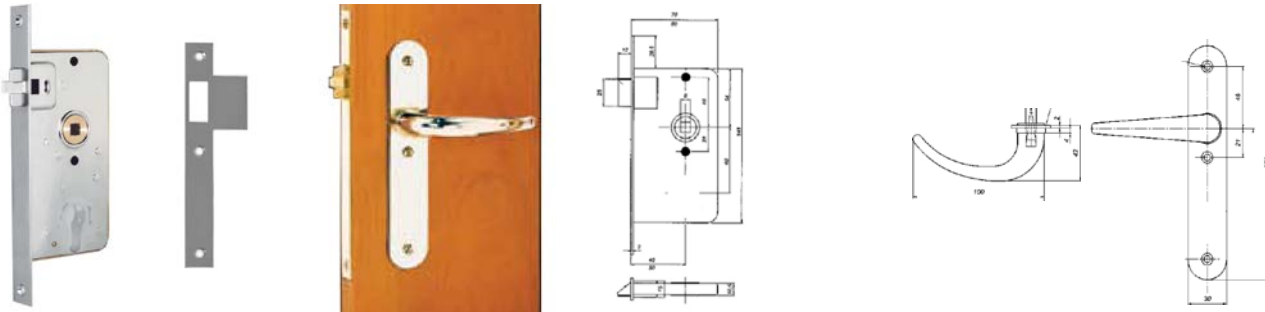


SET: 16.S04W Privacy lockset 40 mm backset with standard escutcheon and lever, thumb-turn and indicator
SET: 16.S05W Privacy lockset 50 mm backset with standard escutcheon and lever, thumb-turn and indicator,

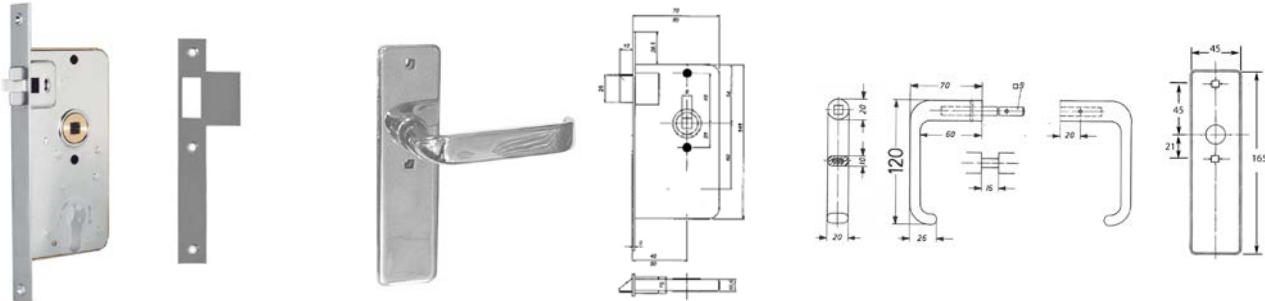


SET: 16.R04W Privacy lockset 40 mm backset with rectangular escutcheon and half sable lever, thumb-turn and indicator
SET: 16.R05W Privacy lockset 50 mm backset with rectangular escutcheon and half sable lever, thumb-turn and indicator

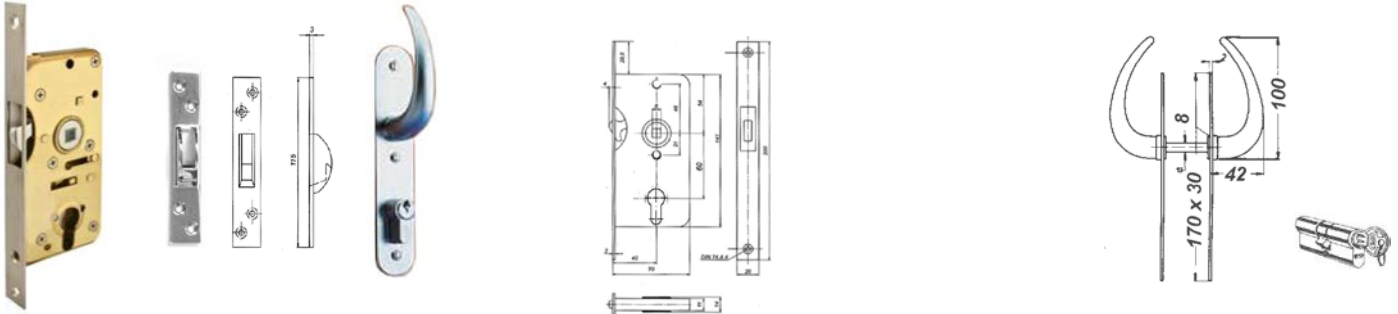
**Custom Trim Upgrades: Please inquire with our office;
PHONE: 954-763-6686 EMAIL: SALES@IZERWAREN.COM**



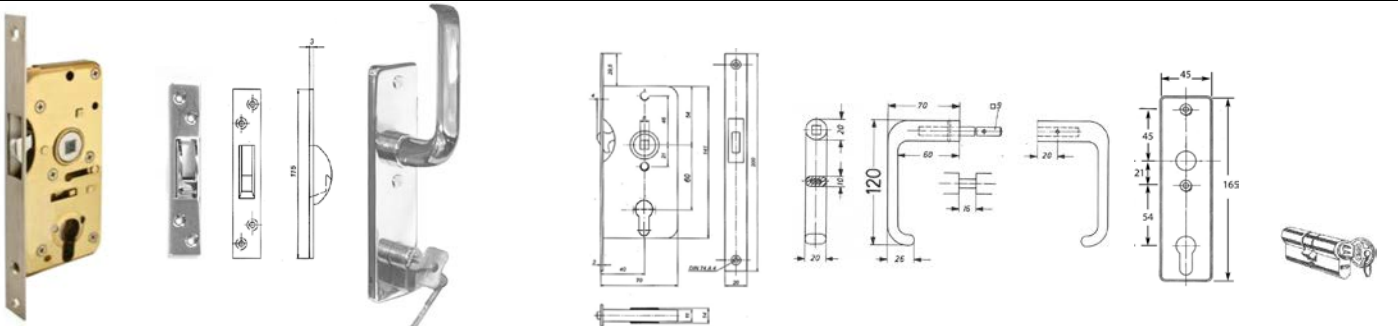
SET: 16.S04F Passage lockset 40 mm backset with standard escutcheon and lever, keyway and strike.
SET: 16.S05F Passage lockset 50 mm backset with standard escutcheon and lever, keyway and strike.



SET: 16.R04F Passage lockset 40 mm backset with rectangular escutcheon and half sable lever, keyway and strike.
SET: 16.R05F Passage lockset 50 mm backset with rectangular escutcheon and half sable lever, keyway and strike.



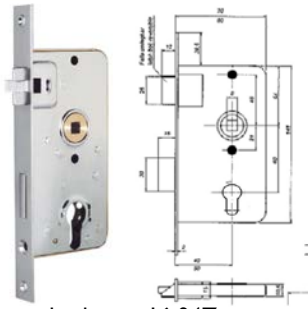
SET: 16.S69Z Sliding Entry lockset 40 mm backset with standard escutcheon and lever, keyway and strike.



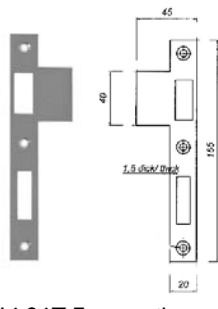
SET: 16.R69Z Sliding Entry lockset 40 mm backset with standard escutcheon and lever, keyway and strike

Custom Trim Upgrades: Please inquire with our office;

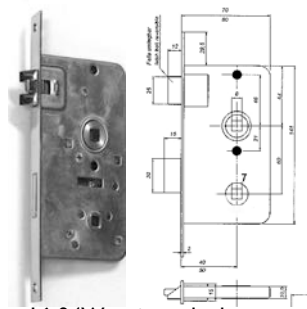
PHONE: 954-763-6686 EMAIL: SALES@IZERWAREN.COM



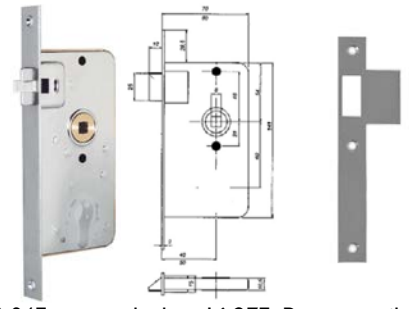
40 mm backset: 16.04Z entry
50 mm backset: 16.05Z entry



16.26Z Entry strike
16.26Z Entry strike



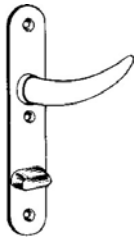
16.04W privacy lock
16.05W privacy lock



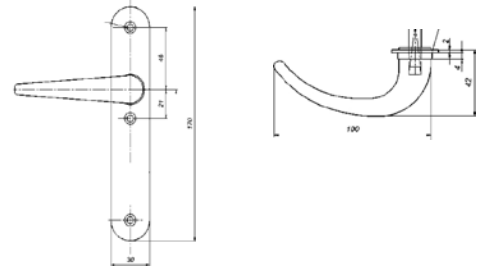
16.04F passage lock 16.27F Passage strike
16.05F passage lock 16.27F Passage strike



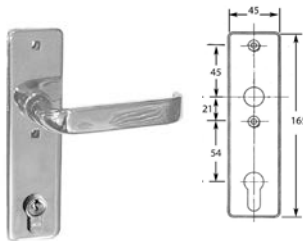
12.59Z trim set for profile cylinder



12.59W trim set for privacy lock



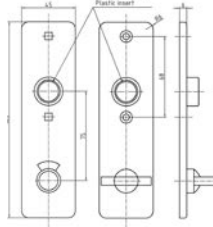
12.59F trim set for passage lock



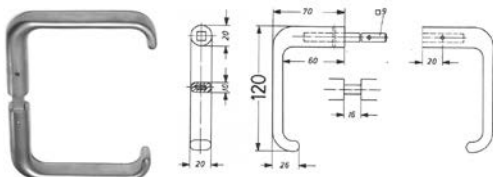
14.129 escutcheons for profile cylinder



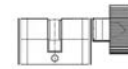
14.119 escutcheons for Privacy lock



14.109 Escutcheons for passage lock

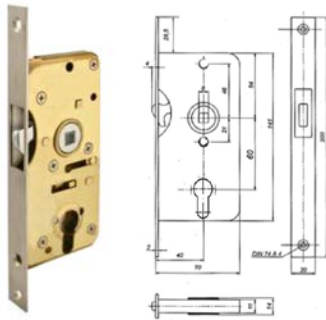


14.999 levers for rectangular escutcheon

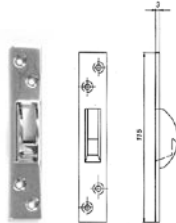


keyways: key/knob key/key: see page 0-5

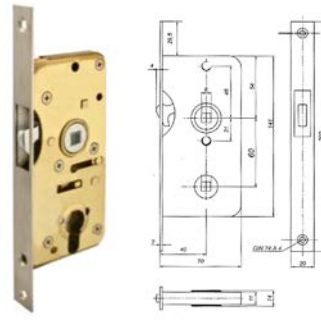
All sliding mortise locks are 40 mm backset



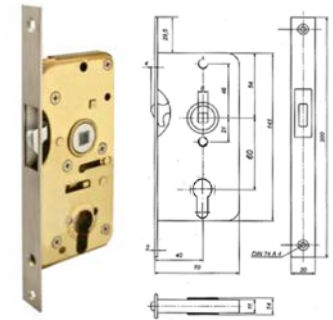
14.69Z entry sliding locks



14.69S strike



14.69W privacy sliding lock



14.69F passage sliding lock

For more lever trim sets: see Decorative Trim Section on Line



Izerwaren
Order
numbers

Trim available in the finish:
Polished chrome plated brass
Satin chrome plated brass
Stainless steel (only 6645 and 6610/2210)

GSV trim fittings #5968 escutcheon: 30 x 130 mm
attached Lever handle: 80 x 35 mm

- 12.968 **Entry** with skeleton key
- 12.68Z **Entry** with round cylinder PZ
- 12.68W **Privacy** with thumb-turn + indicator
- 12.68F **Passage** trim set

For 968 series locks see page 1-8



Key lock #18.968 Details see page 1-7 and 1-8.

GSV trim fittings #5969; Escutcheon: 70 x 30 mm
attached Lever handles 100 x 42 mm;

- 12.59Z **Entry** trim for profile cylinder
- 12.596 **Entry** trim for bit key
- 12.59W **Privacy** trim
- 12.59F **Passage** trim

GSV flush trim fittings #4969;
Escutcheon plates 65 x 45 mm
attached Flush handle: 50 x 8 mm;

- 12.49Z **Entry** for profile cylinder
- 12.496 **Entry** with skeleton key
- 12.49W **Privacy**
- 12.49F **Passage**

For mortise locks, as below:



#16.04Z #14.69Z; see page 1-6-0

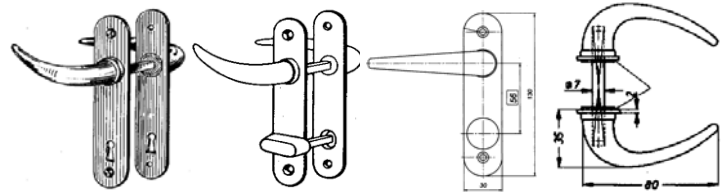
GSV trim fittings

- 14.999 **Lever handles** (2210) 120 mm long Stainless st. Sable style; details page 1-4-j
- 14.610 **Lever handles** (6610) Stainless st. "U" shape style; details upon request.
- 14.129 **Escutcheon plates** 165 x 45 mm (6645Z) details page 1-4-I
- 14.304 **Rose for levers** 50 mm Ø (3304)
- 14.60Z **Escn. Cylinder Rose** 50 mm Ø (3604Z) Escn.
- 14.604 **Rose for bit key** 50 mm Ø (3604)
- 14.40W **Thumb-turn/indicator with rose** (4405)

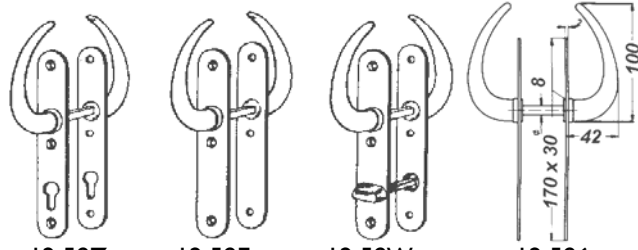
Trim set for full size locks, see below:



Full size entry lock #14.73Z2 page 1-4, and following



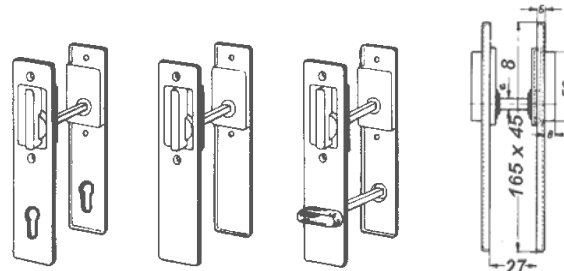
12.968 w. skeleton key;
12.68W w. thumb-turn
12.68Z w. round cylinder
12.68F use with series 18.968 series locks.



12.59Z levers for swinging and sliding locks; use with #16.04Z swinging door lock and #16.69 series sliding door lock.



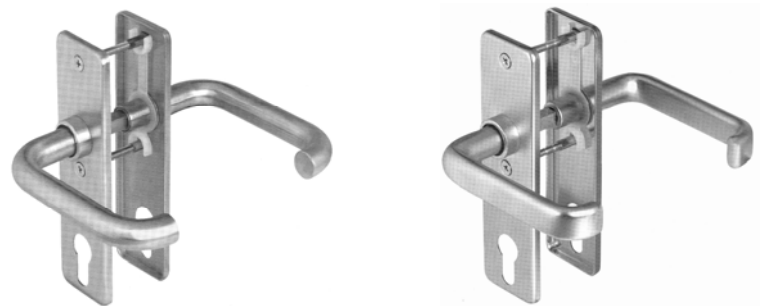
12.59Z



12.49Z Flush levers for sliding and pocket doors locks; use with #16.69Z series sliding door locks for 1 1/2" thick doors use with #16.30Z series sliding door lock for 1 inch thick doors see page 1-6-0



12.49Z



Escutcheon plates #6645Z Lever handles #6610 (left) #2210 (right) Stainless steel; use with full size locks of the 14.73Z series page 1-4



#3304 #3604Z #3604 #4405 / set thumb-turn/ indic. Roses are 50 mm diameter; brass chrome plated will fit with lever 2210 Brass chrome plates; Use with full size locks of the 14.73Z series



Izerwaren
Order
numbers

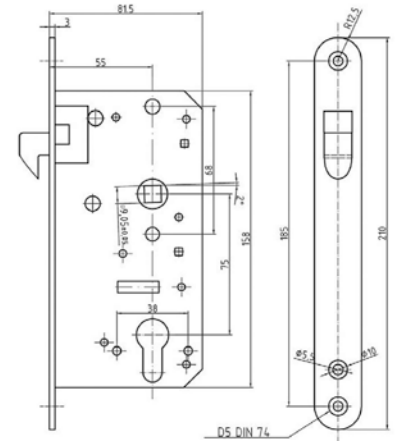
- Mortise lock, backset 55 mm - 2 3/16"
- Pocket doors: Minimum door thickness using flush escutcheon plates on both sides: 1 3/4"
- Minimum door thickness using protruding door lever handles: 32 mm - 1 1/4"
- Solid brass hook bolt
- Round corners on lock plate
- Polished chrome plated bras



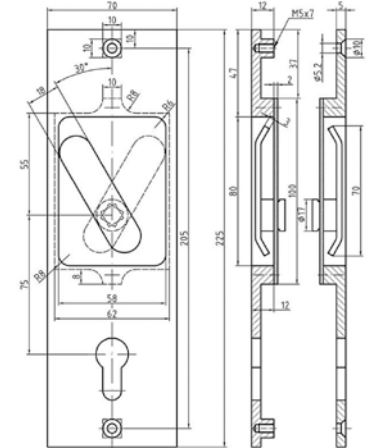
13.81Z5 **SET:** Entry Sliding Door Mortise Lock with escutcheon plates and levers



13.81Z6 **SET:** Entry Sliding Door Mortise Lock with flush escutcheon plates and levers



Entry Lock Set#13.81Z5; 55 mm backset; Levers #14.999 Escutcheon #14.129

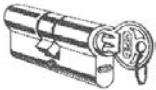


Entry Lock Set#13.81Z6; 55 mm backset; Flush lever set: #13.610Z

13.81Z Separate Sliding Door Mortise Lock
Center spindle hole to center key hole: 75 mm
Case: 80 mm x 152 mm x 16 mm thick
Front plate 210 x 25 mm
For 9x9 mm spindle /door lever handles
Use with profile cylinder key/key or knob/key

13.81S Strike plate (stainless, square corners)
13.81B Strike plate (brass, round corners)

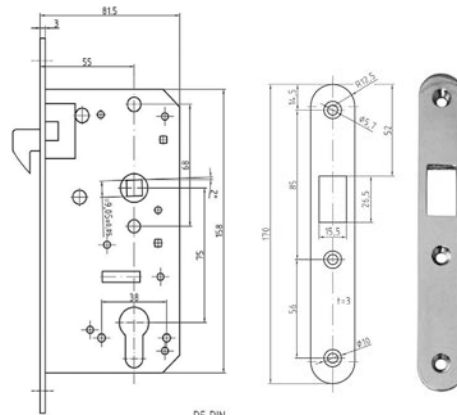
05.400 Profile Cylinder key/key 30/30 mm



see page 0-5 for details

13.81F Passage Sliding Mortise Lock
Case: 80 mm x 152 mm x 16 mm thick
Front plate 210 x 25 mm
9x9 mm spindle for lever handles
13.81S Strike plate

13.610Z Flush Lever& Escutcheon set



#13.81Z

#13.81S

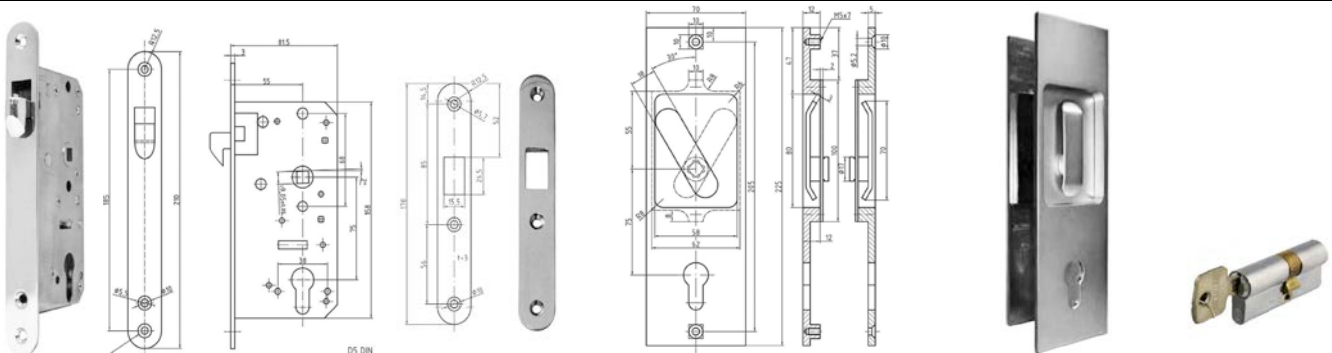


Edge pull #13.249;

#13.219;

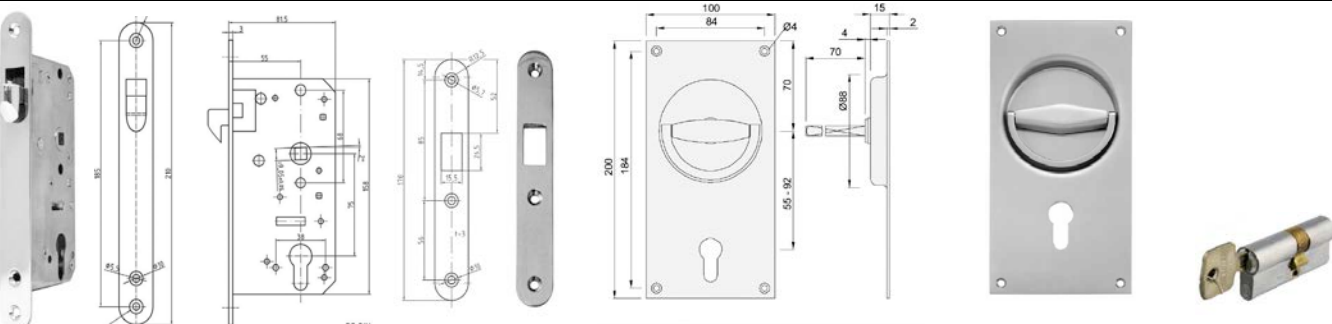


#13.239



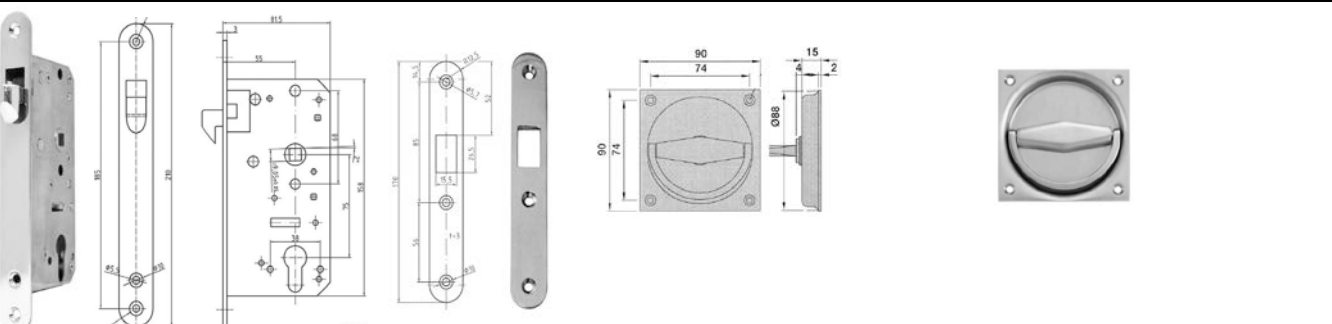
#14.81Z6 SET Complete Sliding Entry Mortise Lock Set.

Parts separate: Sliding door lock with strike plate #13.81Z; 55 mm backset; Profile cylinder keyway 05included; Flush Trim Set #13.610Z; dimensions: 2 3/4 x 8 7/8 inch 8; Plates Protrude from surface door 1/4 inch; **MINIMUM DOOR THICKNESS: 1 3/4 INCH or 44 mm.**



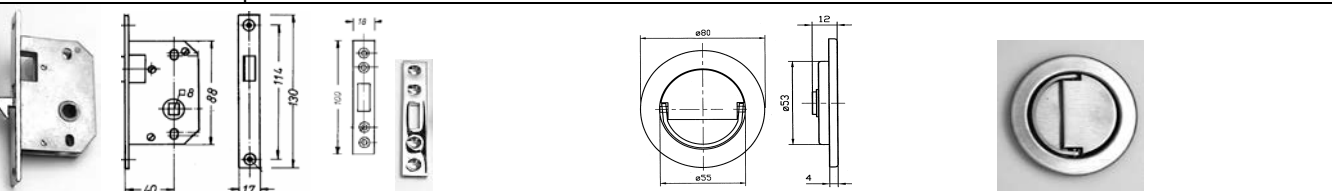
#13.81Z8 SET Complete Sliding Entry Mortise Lock Set.

Parts separate: Sliding door lock with strike plate #13.81Z; 55 mm backset; Stainless steel Flush lever on plate #51.004; Flush Set protrudes from surface door: 1/8 inch;. Size plate: 3 15/16 x 7 7/8 inch; **MINIMUM DOOR THICKNESS: 2 1/8 INCH OR 53 MM**

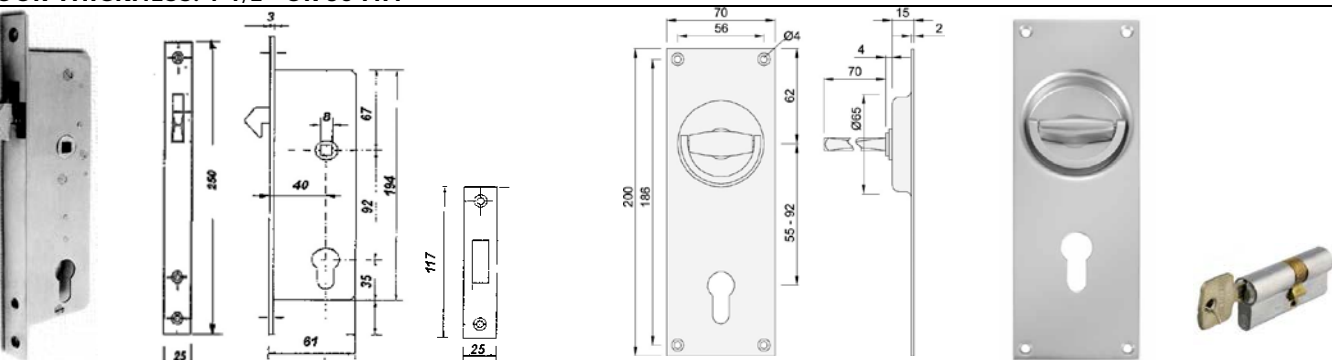


#13.81F8 SET Complete Sliding Passage Mortise Lock Set.

Parts separate: Sliding door latch with strike plate #13.81F; 55 mm backset; Stainless steel Flush lever on plate #51.016; Flush Set protrudes from surface door: 1/8 inch;. Size plate: 3 9/16 x 3 9/16 inch; **MINIMUM DOOR THICKNESS: 2 1/8 INCH OR 53 MM**



Set: #51.0891F; Flush Sliding Passage Set. With 316 Stainless steel Flush Door Lever #51.391; 80 mm diameter. **DOOR THICKNESS: 1 1/2" OR 38 MM**



Set: #51.01525Z; Flush Sliding Entry Set with Flush Aluminum Door Lever, #51.5001A on plate 70 x 200 mm, Stainless steel Lock with strike #14.152; **DOOR THICKNESS: 2 1/8" OR 52 MM**

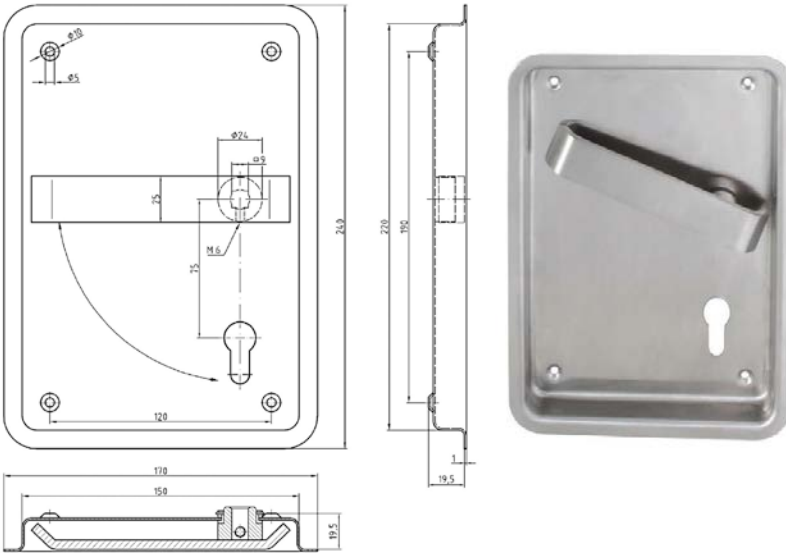


Izerwaren
Order
number

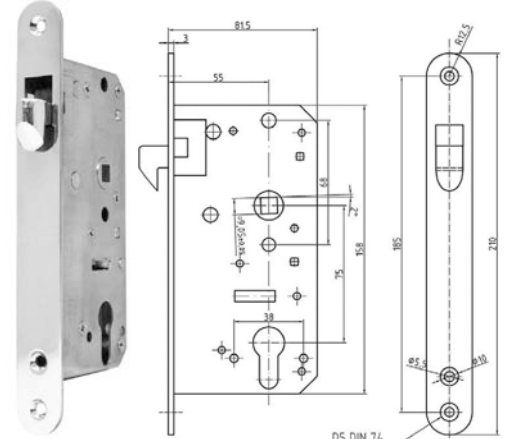
- High quality German 304 Stainless Steel Flush door lever handles for full size mortise locks with a min. backset of 55 mm
- Finish: Satin stainless steel or mirror polished stainless steel.

FOR 2 3/4 INCH DOOR THICKNESS

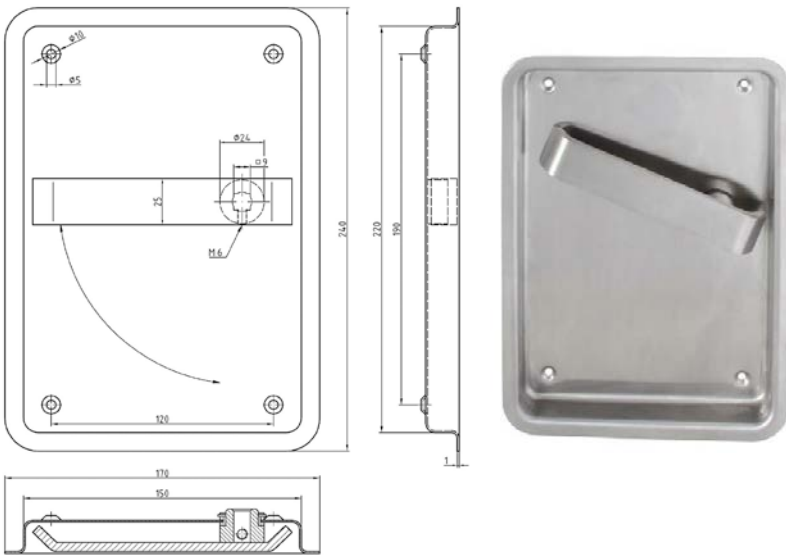
- 53.653 **Flush Plate with Lever, for use with entry set with Profile Cylinder**
 304 stainless steel
 Plate 240 x 170 mm;
 Build in: 220 x 150 mm
 Build in depth: 20mm
 Finish: satin or polished stainless steel
 With 8 x 8 mm or 9 x 9 mm square spindle



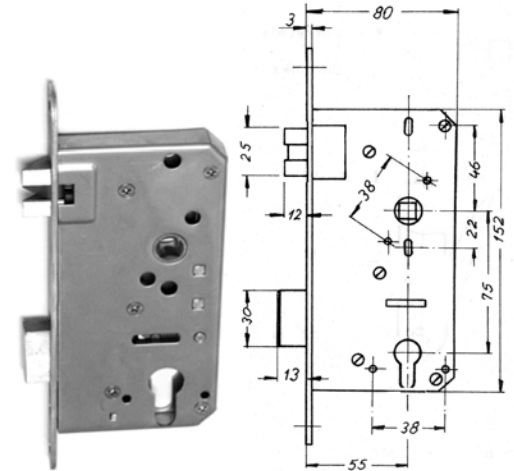
#53.653 Flush plate with lever. Plate 240 x 170 mm;
Build in depth: 20mm
Satin or polished stainless steel



- 13.81Z Use with Entry Sliding Pocket Door Lock
 C. spindle hole to C. key hole: 75 mm
 Case: 80 mm x 152 mm x 16 mm thick
 Front plate lock: 210 x 25 mm
 For 9x9 mm spindle /door lever handles
 For profile cylinder key/key or knob/key
- 13.81S Strike plate (stainless, square corners)
 Strike plate (brass, round corners)



#53.659 Flush plate with lever. Passage function
Plate 240 x 170 mm;
Build in depth: 20 mm
Satin or polished stainless steel



- 14.37Z2 Entry Swinging Mortise lock; 55 mm backset
Stainless steel.

- 14.213 Entry strike plate

- 53.659 **Flush plate** with lever
 Passage function
 304 stainless steel
 Plate 240 x 170 mm;
 Build in: 220 x 150 mm
 Build in depth: 20 mm
 Finish: satin or polished stainless steel
 For 8 x 8 mm or 9 x 9 mm square spindle

NOTE: Lever not separately available
Only available as set with flush plates.
Similar lever for separate use: #12.53F on page I-1-2



Order number	Material	Back set	Specifics	Finish
<p>escutcheon plate entry model round holes square holes</p>				
#14.129.508	Stainless Steel		<p>Pair; one round holes, one square holes</p>	Satin stainless steel
#14.129.308	Stainless Steel		<p>Pair; one round holes, one square holes</p>	Polished stainless steel
#14.128.508	Stainless Steel		<p>Single; round holes</p>	Satin stainless steel
#14.127.508	Stainless Steel		<p>Single; square holes</p>	Satin stainless steel
<p>escutcheon plate privacy model round holes / square holes</p>				
#14.119.508	Stainless Steel		<p>Pair; one round holes, one square holes</p>	Satin stainless steel
#14.119.308	Stainless Steel		<p>Pair; one round holes, one square holes</p>	Polished stainless steel
#14.118.508	Stainless Steel		<p>Single; round holes With thumb-turn attached</p>	Satin stainless steel
#14.117.508	Stainless Steel		<p>Single; square holes With red/green indicator</p>	Satin stainless steel
#14.117.308	Stainless Steel		<p>Single; square holes With red/green indicator</p>	Polished stainless steel
#14.116.508	Stainless Steel		<p>Single; square holes With slotted indicator</p>	Satin stainless steel
#14.116.308	Stainless Steel		<p>Single; square holes With slotted indicator</p>	Polished stainless steel
			<p>#05.599 Profile cylinder covers, spring loaded.</p> <p>#05.5991</p>	
05.599.608	PC cover 3 mm	Stainless steel	Overall sizes: 29 x 58 x 12 mm	
05.5991.608	PC cover 8 mm	Stainless steel	Overall sizes: 29 x 58 x 17 mm	

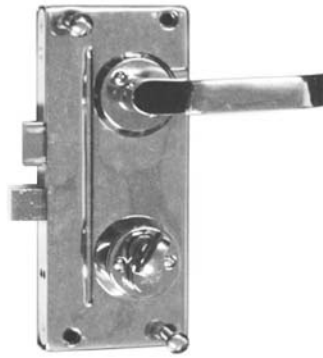


Order number	Material	Back set	Specifics	Finish
<p>escutcheon plate passage model round holes square holes</p>			<p>escutcheon plate mounting: through bolts with square female nut on outside, Philips head on inside</p>	
#14.109.266	Brass		Pair; one round holes, one square holes	Polished chrome
#14.109.508	Stainless Steel	55 mm	Pair; one round holes, one square holes	Satin stainless steel
#14.109.308	Stainless Steel	55 mm	Pair; one round holes, one square holes	Polished stainless steel
#14.108.508	Stainless Steel		Single; round holes	Satin stainless steel
#14.107.508	Stainless Steel		Single; square holes	Satin stainless steel
<p>nylon insert bearing for escutcheon plates escutcheon plate drawing showing installed nylon bearing</p>			<p>Thumb turn with 7 x 7 mm square stock for use with escutcheon #14.118.508</p>	<p>Through bolts, set, Stainless steel Indicate size For use with escutcheons</p>
#14.1TT	Thumb-turn		Single, 7 x 7 mm spindle	Satin chrome brass
#14.139	Nylon		Bearing for escutcheon each	nylon
#14.149	Through bolts		Set, male-female ,	Stainless steel
<p>lever set with stainless steel spindle</p>				
#14.999.508	stainless steel		Lever handle set satin stainless steel	
#14.999.308	stainless steel		Lever handle set polished stainless steel	
<p>lever set 2x 10 mm EXTENDED with stainless steel spindle</p>				
#14.99A.508	stainless steel		Lever handle set satin stainless steel	
#14.99A.308	stainless steel		Lever handle set polished stainless steel	



Izerwaren
Order
Numbers

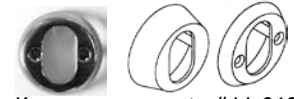
- Specify handing for rim locks
- For handing see page 0-4
- Specify satin or polished



#11.EBET01 Complete Trioving box set
Backset: 55 mm



Chrome plated trim set:
Rose #11.509 & Lever #11.363
Rose: 54 mm diameter,
Lever 49 x 109 mm



Key way rose, pair #11.962
54 mm diameter.

11.EBET01 SET Trioving Rim Lockset Complete
Inside: lock box, roses, lever, thumb-turn
Outside: Lever + escutcheon, keyway,
Stainless steel lock and box, trim chrome
55 mm backset; case: 216 x 98 x26 mm

13.27CZI SET GSV / S&B Rim Lockset Complete(3227Z)
Inside: lock box, lever, thumb-turn
keyway, strike plate
Outside: Lever +escutcheon +keyway
Stainless steel lock and box and trim
55 mm backset; case: 192 x 95 x23 mm



13.27CZ Complete box set GSV/S&B
Backset: 55 mm stainless steel



13.27CZ complete set;
Outside trim GSV/S&B
stainless steel

13.27ZI Entry Rim Lock separate

13.27SFI SET Passage Rim Lock, Levers, Strike

13.27FI Passage Rim Lock separate (see page I-3-B)
55 mm backset;

13.27SZI SET Dead Bolt Rim Lock, keyway, rose, strike
55 mm backset; Case: 110 x 90 x 25./22 mm
Works through Profile Cylinder Key Way
Stainless steel, see page I-3-B

13.27S Dead Bolt Rim Lock full size separate

13.50IS SET Dead Bolt Rim Lock half size , stainless steel
75 mm backset; Case: 110 x 90 x 25./22 mm
Works through Profile Cylinder Key Way



#13.50IS SET Dead bolt Rim lock
stainless steel Backset: 75 mm
Double Throw: 14 + 12 mm



#11.50IS SET
outside trim; stainless steel

13.50I Dead Bolt Rim Lock sold separate
stainless steel

13.31SZ SET Dead Bolt Rim Lock ; stainless steel
Backset 52 mm; case: 95 x 75 x 18 mm
Works with Profile Cylinder Key Way



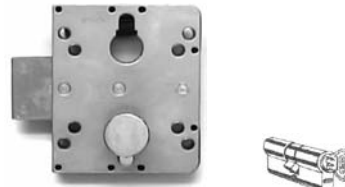
#13.31SZ SET Deadbolt Rim lock
stainless steel Backset: 52 mm
Throw: 10 mm



#11.31SZ SET outside trim
stainless steel

13.31Z Dead Bolt Rim Lock sold separate

13.20SZ Dead Bolt Lock stainless steel
Backset 50 mm
Case: 100 mm x 120 mm x 18 mm thick
Works with Profile Cylinder Key Way only
2 THROWS, one inch total throw



#13.20SZ SET Deadbolt rim lock
stainless steel Backset 50 mm
double throw: 2 x 12 mm = 24 mm
nylon parts.



#11.020SZ SET outside trim
stainless steel

13.20Z Dead Bolt Lock sold separate

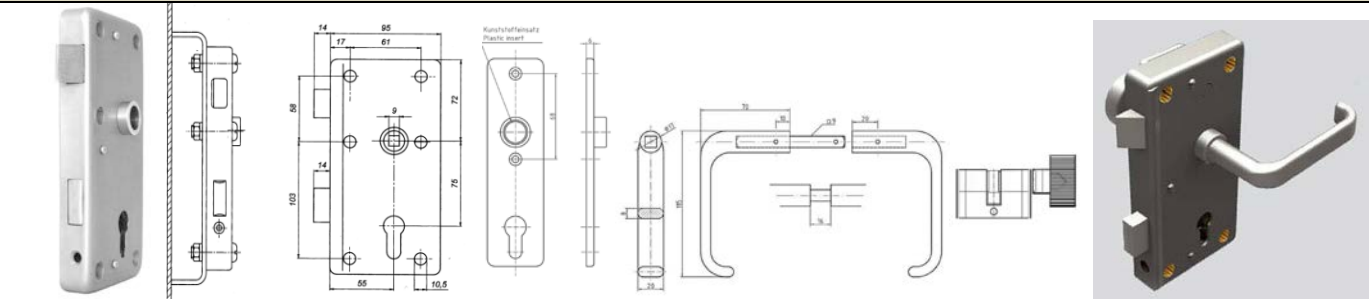


14.231P

14.626P

13.241 14.231P 14.626P 13.241 strike
Please order strike plates separate

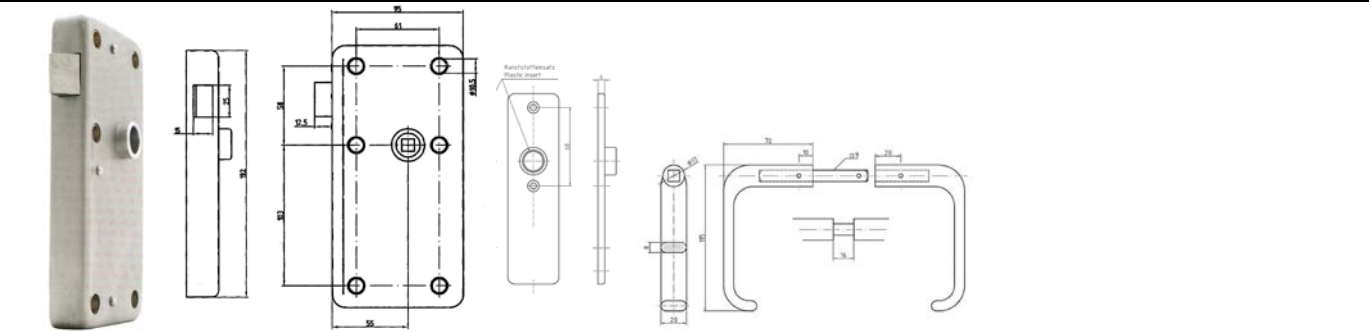
**MORE LOCK FUCTIONS AND DIMENSIONS ON PAGES I-3-A and I-3-B
PLEASE SPECIFY LEFT AND RIGHT AND INWARD OR OUTWARD WHEN ORDERING; ACCORDING TO PAGE 0-4-2**



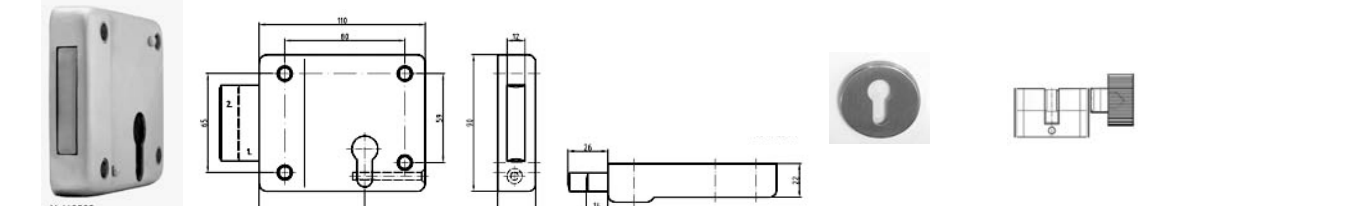
#13.27CZ Entry rim lock set complete; backset 55 mm



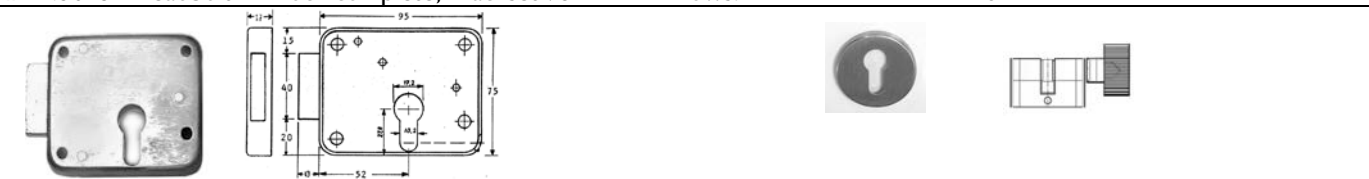
#13.27SZ Deadbolt rim lock set complete; backset 55 mm



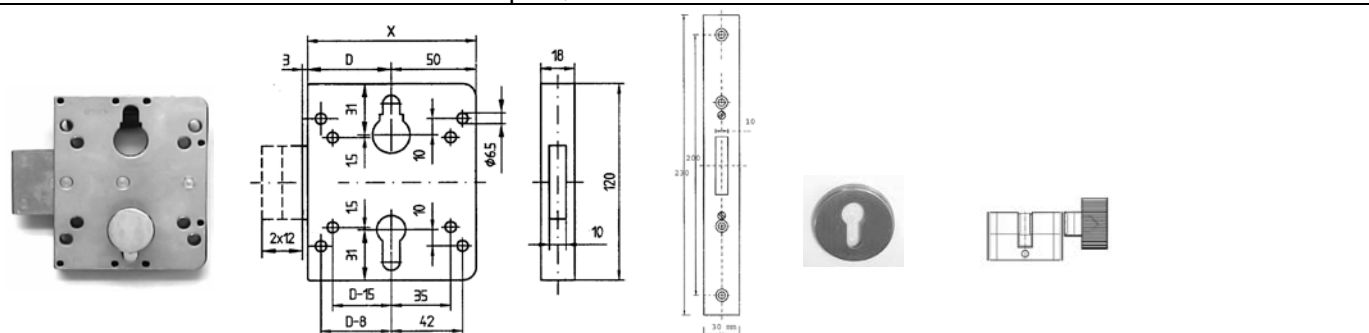
#13.27SF Passage rim latch set complete; backset 55 mm



#11.501S Deadbolt rim lock complete; Backset 75 mm 2 Throws: 14 mm + 12 mm = 26 mm



Rim lock #13.31SZ Deadbolt rim lock set complete; Backset 52 mm. Throw: 13 mm



Dead bolt lock #13.20SZ. Backset: 50 mm. Backset available: 50, 60, 80, 100 mm; case 100 mm x 120 mm high. Double throw: 2 x 12 mm; 24 mm total; Available in 316 or 304 stainless steel with some nylon parts (front plate 230x30 mm need to be ordered specially)



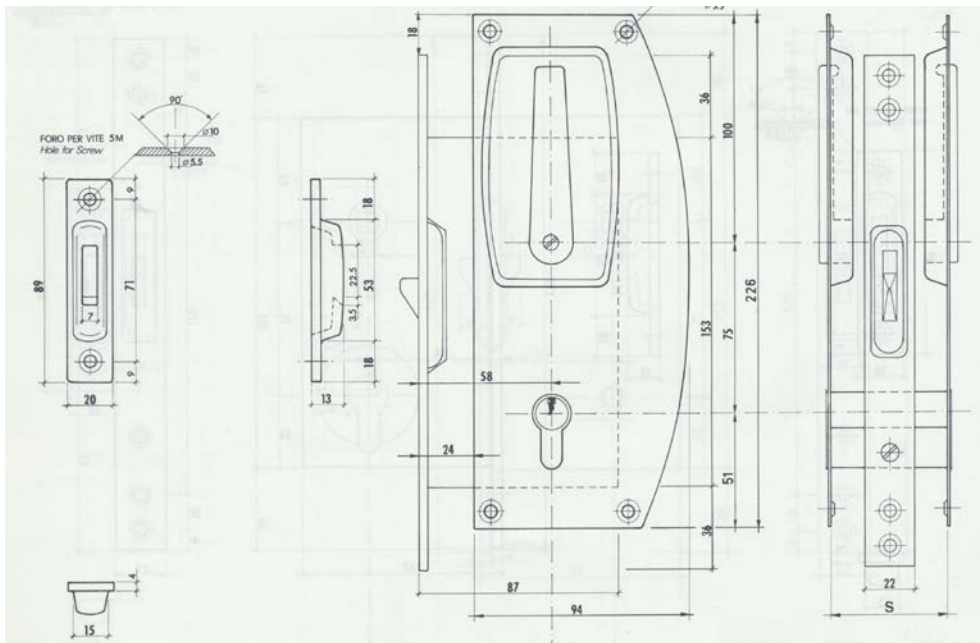
#18.3786 SET Entry Sliding door lock with Profile cylinder and strike box
 Min. door thickness: 38 mm or 1 1/2 inch



#18.3838 Privacy Sliding Door lock with strike plate
 min. door thickness: 25 mm



#18.3796 Passage Sliding door lock with strike plate
 min. door thickness: 25 mm



#18.3786 Entry Lock set with Profile Cylinder keyway. 60 mm backset
 S = Minimum door thickness is 32 mm or 1 1/2 inch.
 S2 = Maximum door thickness for the standard keyway: 1 3/4 inch
 For thicker doors please specify door thickness.
 Stainless steel plates with brass parts.
 Strike box brass chrome plated



Entry set #18.3448
 With skeleton keys (2X)
 Minimum Door thickness
 25 mm or 1 inch

R & C SWINGING DOOR LOCKS
SEE PAGE I-13-C-B:



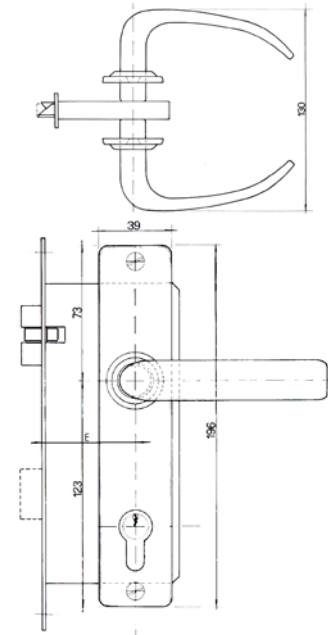
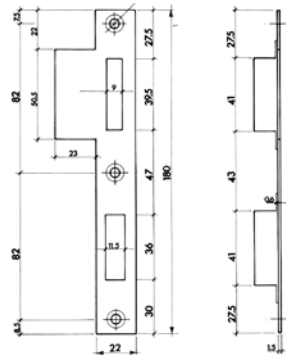
#18.3372 strike box for entry lock only



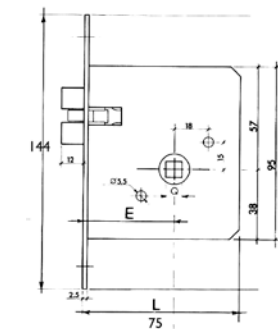
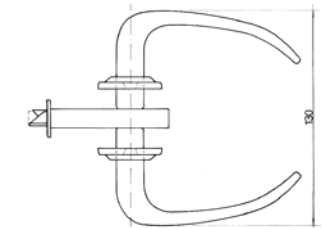
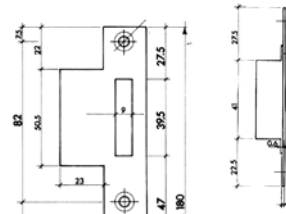
#18.3447 Strike plate for privacy lock #18.3838 and passage lock #18.3796



R & C SWINGING DOOR LOCKS



18.2035 SET; Entry Lock; 370 mm backset. Face plate: 212 x 22 x 2 mm; Lock case: 165 high x 75 wide x 13 mm thick. Escutcheon plate: 196 x 38 mm, Lever 110 mm long overall. Marine grade; stainless steel and brass chrome plated parts.



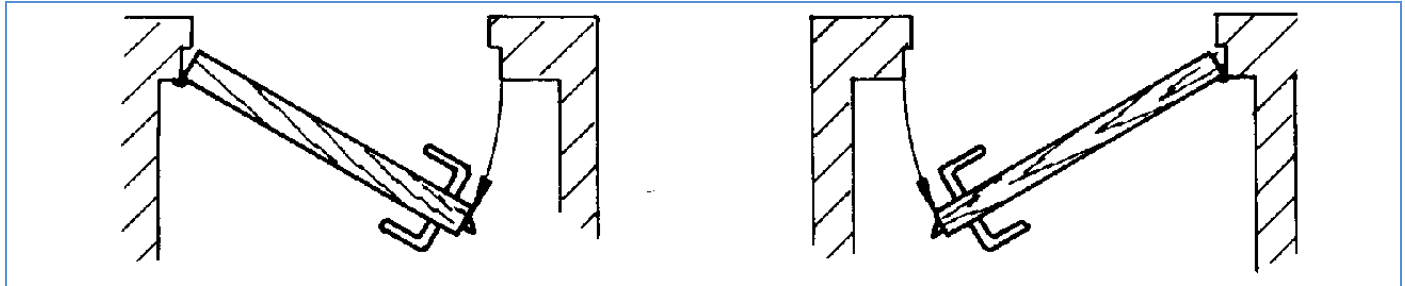
#18.2031 SET Passage door lock 50 mm backset. Face plate: 144 x 22 x 2 mm; Lock case: 95 high x 75 wide x 13 mm thick. Escutcheon plate: 196 x 38 mm, Lever 110mm long overall. Marine grade; stainless steel and brass chrome plated parts.

- #18.203512 Entry lock separate
- #18.2036 Strike plate for entry lock separate
- #18.3125 Levers pair separate
- #18.3992 Escutcheons for entry lock separate
- #18.204112 Passage latch separate
- #18.2032 Strike for passage latch
- #18.2041 Escutcheons for passage latch separate



Standard European (DIN) Handing for Mortise Locks and Swinging Doors:

OUTSIDE



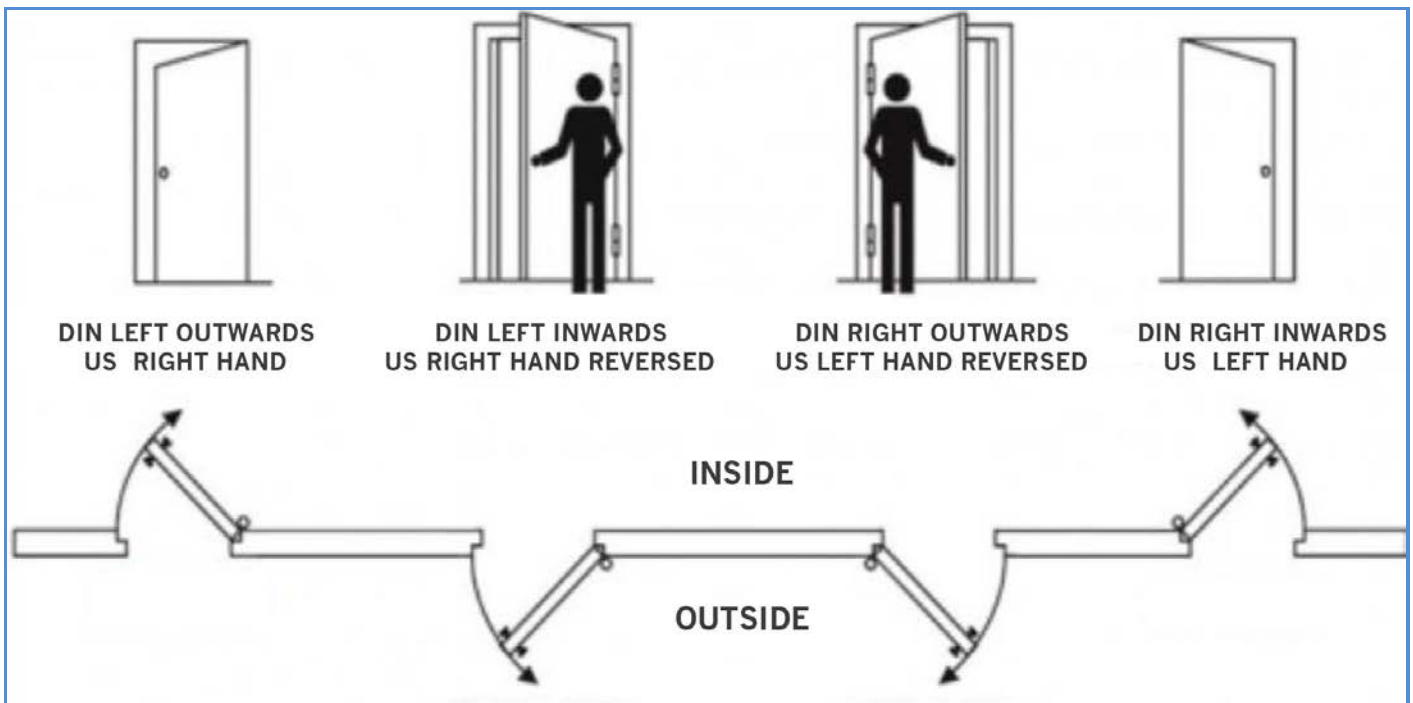
DIN LEFT HAND

INSIDE

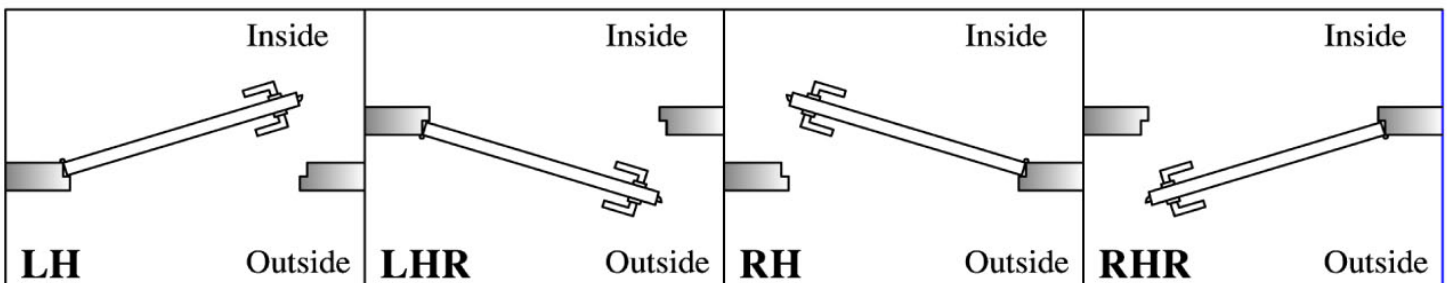
DIN RIGHT HAND

The DIN Standard applies to most Mega Yachts Door Schedules.

Handing Door Schedules for: Residential European (DIN) and Residential American (US) Swinging Door the following schedule applies, showing DIN Standard and US Standard:

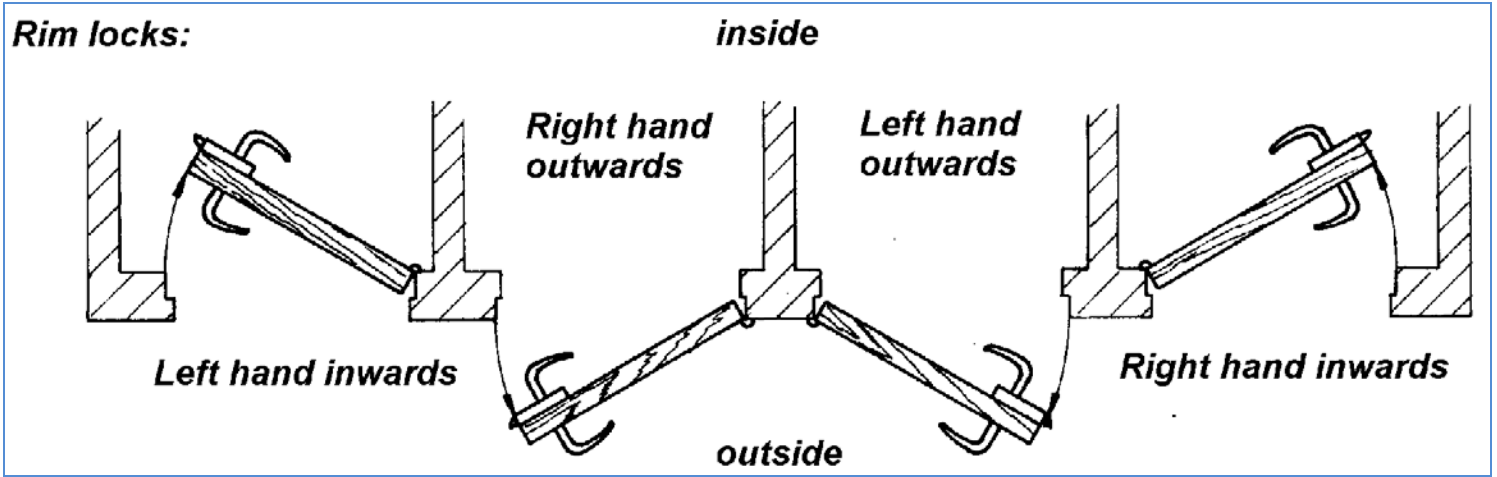


Standard US Handing schedule:

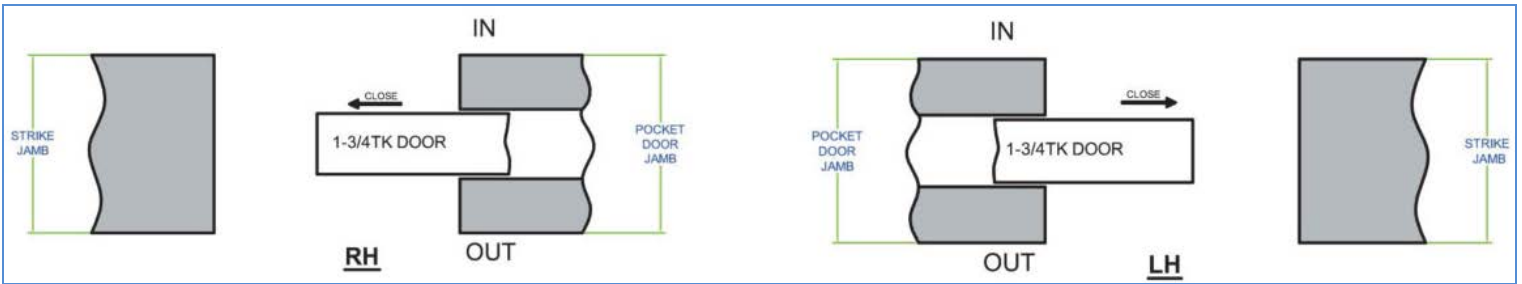




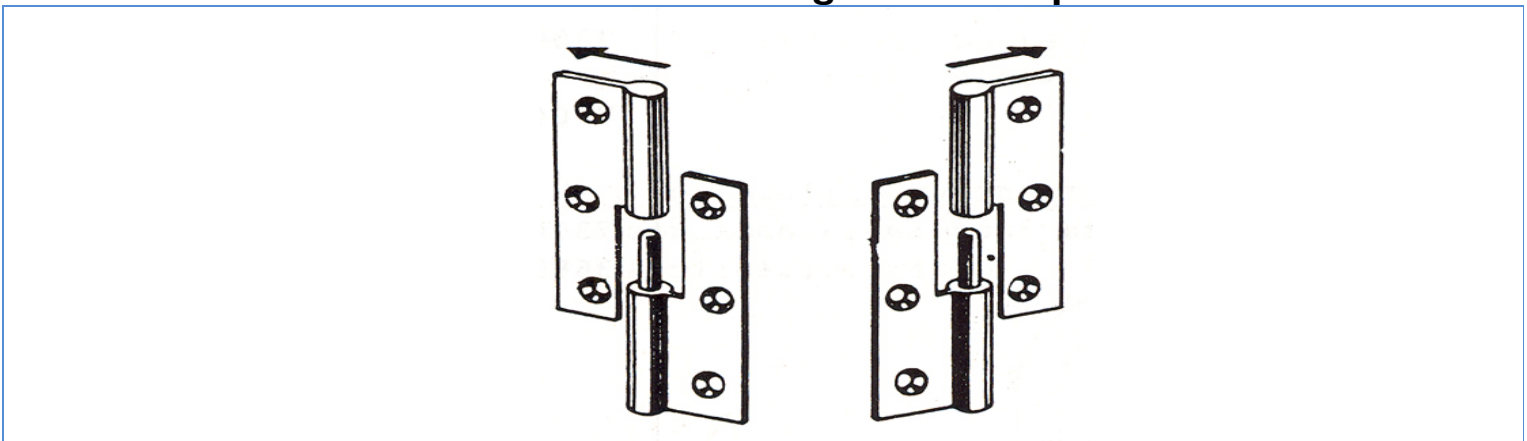
HANDING OF RIM MOUNTED LOCKS EUROPEAN DIN STANDARD:



HANDING OF POCKET DOORS US STANDARD:

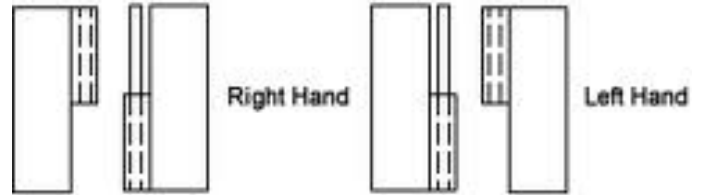
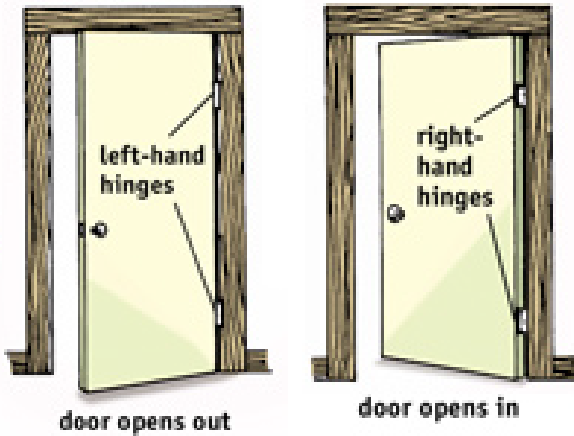


HANDING of LIFT OFF HINGES according to the European DIN Standard:





Standard US Hinges Handing



Handing For Standard US Butt Hinges and Lift Off Hinges (Slip Joint Hinges)

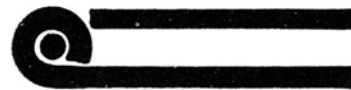


Handicapped Code Full Away Swinging Hinges and Butt Hinge Installation

Hinge Swaging



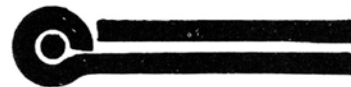
Hinge not swaged — figure 1



Hinge not swaged — figure 2



Hinge swaged (standard) — figure 3



Hinge swaged (standard) — figure 4


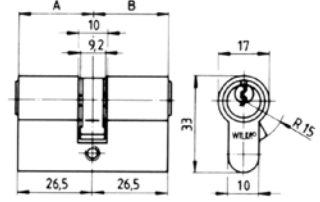


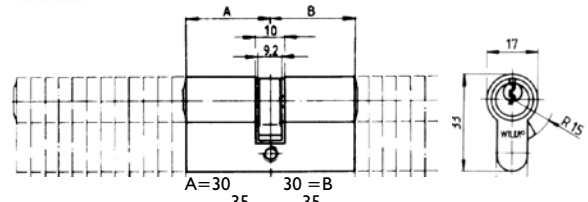

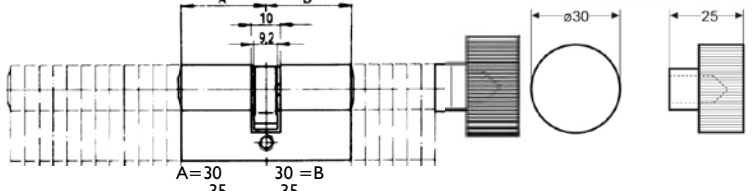


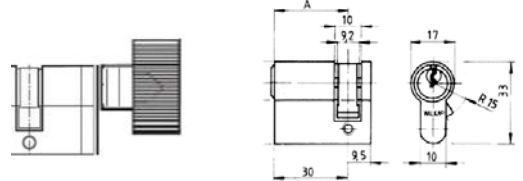






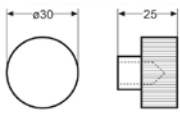

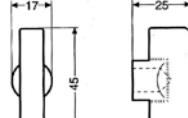





*Hinge with one leaf swaged — figure 5



*Hinge with one leaf swaged flat — figure 6



Order number		Material	Specifics	Finish
 Picture Profile Cylinder key/key Series #05.488 Small: 53 mm overall length				
05.488.566	key/key	Brass	A= 26.5 mm B= 26.5 mm key-key; satin chrome	
05.488.266	key/key	Brass	A= 26.5 mm B= 26.5 mm key-key; polished chrome	
05.407.566	key/knob	Brass	A= 26.5 mm B= 26.5 mm key-knob; satin chrome	
05.407.266	key/knob	Brass	A= 26.5 mm B= 26.5 mm key-knob; polished chrome	
 Picture Profile Cylinder key/key series #05.400 62 MM OVERAL LENGTH UP TO 182 MM OVERAL LENGTH WITH INCREMENTS OF 5 MM ALSO AVAILABLE ACYMETRIC		 Key blanks #05.150 nickel		
05.400.566	key/key	Brass	A= 30 mm B= 30 mm key-key; satin chrome	
05.400.266	key/key	Brass	A= 30 mm B= 30 mm key-key; polished chrome	
 Picture: Profile Cylinder key/knob Series #05.405 Specify Knob (knob depicted: #05.502) 62 MM OVERAL LENGTH UP TO 182 MM OVERAL LENGTH NOT COUNTING THE KNOB WITH INCREMENTS OF 5 MM - ALSO ACYMETRIC				
05.405.566	key/knob	Brass	A= 30 mm B= 30 mm key-key; satin chrome	
05.405.266	key/knob	Brass	A= 30 mm B= 30 mm key-key; polished chrome	
 Half keyway #05.415 key/- UP TO 90 MM			 Half knob #05.416 knob/- special order	
05.415.566	Key/ - 30 - 0	Brass	A= 30 mm B= 0 mm key---; satin chrome	
05.415.266	Key/ - 30 - 0	Brass	A= 30 mm B= 0 mm key---; polished chrome	
05.416.566	Knob/ - 30 - 0	Brass	A= 30 mm B= 0 mm key---; satin chrome	
05.416.266	Knob/ - 30 - 0	Brass	A= 30 mm B= 0 mm key---; polished chrome	
 #05.502				
 #05.602				
 #05.762				
 #05.517				
 #09.P07				
 #09.P05				
 #05.502				
 #05.602				
 #05.762				
 #05.008				
 #13.J454				
 #13.J453				



<p>Profile cylinder, 60 mm, privacy (slotted bolt/knob) Profile cylinder, 60 mm, privacy (slotted bolt/key)</p>		<p>A= 30 mm slotted bolt B= 30 mm key A= 30 mm slotted bolt B= 30 mm knob</p>	
<p>05.489 05.487</p>	<p>Slotted bolt/key Slotted bolt/knob</p>		
<p>Escutcheon pair: #14.129.508 with 1 cylinder cover #05.599</p>	<p>#05.599 #05.5991 Profile cylinder covers, spring loaded.</p>		
<p>#05.599 Profile cylinder cover, spring loaded. 12 mm</p>	<p>#05.5991 Profile cylinder cover, spring loaded. 17 mm</p>		
<p>05.599.608 05.5991.606</p>	<p>PC cover 3 mm PC cover 8 mm</p>	<p>Stainless steel Stainless steel</p>	<p>Overall sizes: 29 x 58 x 12 mm Overall sizes: 29 x 58 x 17 mm</p>
<p>Round Cylinders for small locks and cabinet locks</p>	<p>#05.590 Round key nickel</p>	<p>Cabinet rim lock #21.73Z; 25 mm backset with keyway #05.522</p>	
<p>05.522</p>	<p>round cylinder 22 mm</p>	<p>Brass/chrome</p>	<p>#21.73Z Cabinet rim lock with round cylinder</p>
<p>05.525</p>	<p>round cylinder 25 mm</p>	<p>Brass/chrome</p>	<p>see catalog page 2-1</p>
<p>05.530</p>	<p>round cylinder 30 mm</p>	<p>Brass/chrome</p>	<p>See on line:</p>
<p>05.535</p>	<p>round cylinder 35 mm</p>	<p>Brass/chrome</p>	<p>Izerwaren.com: Door hardware / Cabinet door hardware / Details marine slam latches / page 2-1.</p>